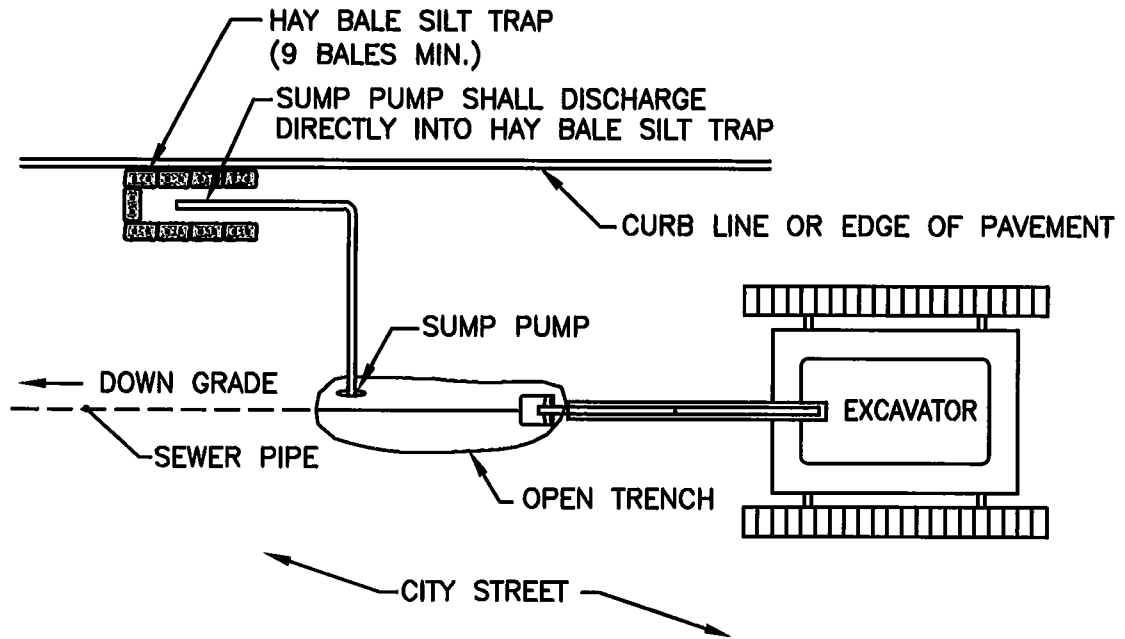



Appendix List of Details

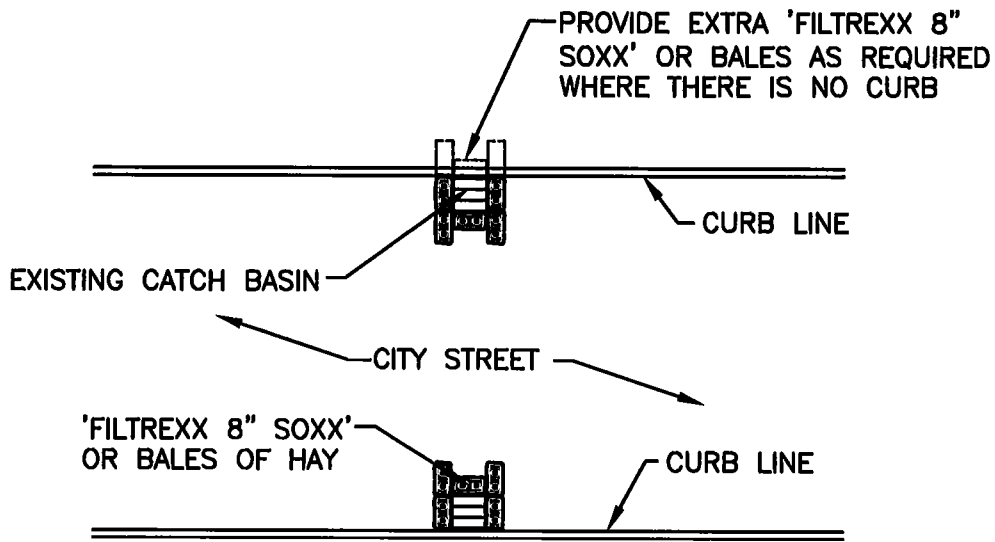
<u>Detail Number</u>	<u>Description</u>
WSA-1	Hay Bale Silt Trap
WSA-2	Catchbasin Erosion Control
WSA-3	Sanitary Manhole
WSA-4	Flat Slab Manhole Top
WSA-5	Sanitary Manhole Cover
WSA-6	Manhole Invert Table
WSA-7	Manhole Step
WSA-8	Drop Manhole Detail
WSA-9	Drop Manhole on Existing Line
WSA-10	Permanent Trench Pavement
WSA-11	Temporary Bituminous Wedge at Structures
WSA-12	Bituminous Overlay
WSA-13	Cut & Match Pavement – Local Street
WSA-14	Cold Plane at Residential Driveway
WSA-15	Typical Trench
WSA-16	Typical Service Connection Plan (less than 10' depth)
WSA-17	Typical Service Connection Profile (less than 10' depth)
WSA-18	House Connection Marker
WSA-19	Chimney Plan and Profile for Service Connections (10' depth or greater)
WSA-20	Chimney Details for Service Connections (10' depth or greater)
WSA-21	Service Cleanout
WSA-22	Typical LPSS Service Connection
WSA-23	LPSS Manhole Drop Connection
WSA-24	Force Main Air Release Manhole
WSA-25	Force Main Cleanout Manhole
WSA-26	Grease Trap
WSA-27	Pipe Cradle
WSA-28	Thrust Block Details (Tees and End Caps)
WSA-29	Thrust Block Details (Horizontal and Vertical Bends)
WSA-30	Anchor Block Details
WSA-31	LPSS In-Line Cleanout
WSA-32	LPSS Main End
WSA-33	Typical Trench Dam



NOTES:

1. HAY BALE SILT TRAPS SHALL BE INSTALLED AND MAINTAINED AT THE DISCHARGE OF ALL SUMP PUMPS USED FOR DEWATERING OF TRENCHES.
2. SILT TRAPS SHALL BE MAINTAINED AND CLEANED AS OFTEN AS NECESSARY TO EFFECTIVELY CONTAIN SILT.
3. SILT REMOVED FROM SILT TRAP SHALL BE DISPOSED BY THE CONTRACTOR. RE-USE BY MIXING WITH MATERIAL EXCAVATED FROM TRENCH AND USED AS BACKFILL IS SUBJECT TO CONFORMANCE WITH MATERIAL SPECIFICATIONS.

Detail No. WSA - 1 Hay Bale Silt Trap	
Contract DD	
Date: May 2017	Scale: Not to Scale
	WARWICK SEWER AUTHORITY 125 Arthur Devine Boulevard Warwick, Rhode Island 02889



NOTE:

APPROVED ALTERNATIVES TO BALED HAY INCLUDE
'FILTREXX 8" SOXX" OR SILTSACK (OR EQUAL)

Detail No. WSA - 2
Catchbasin Erosion Control

Contract DD

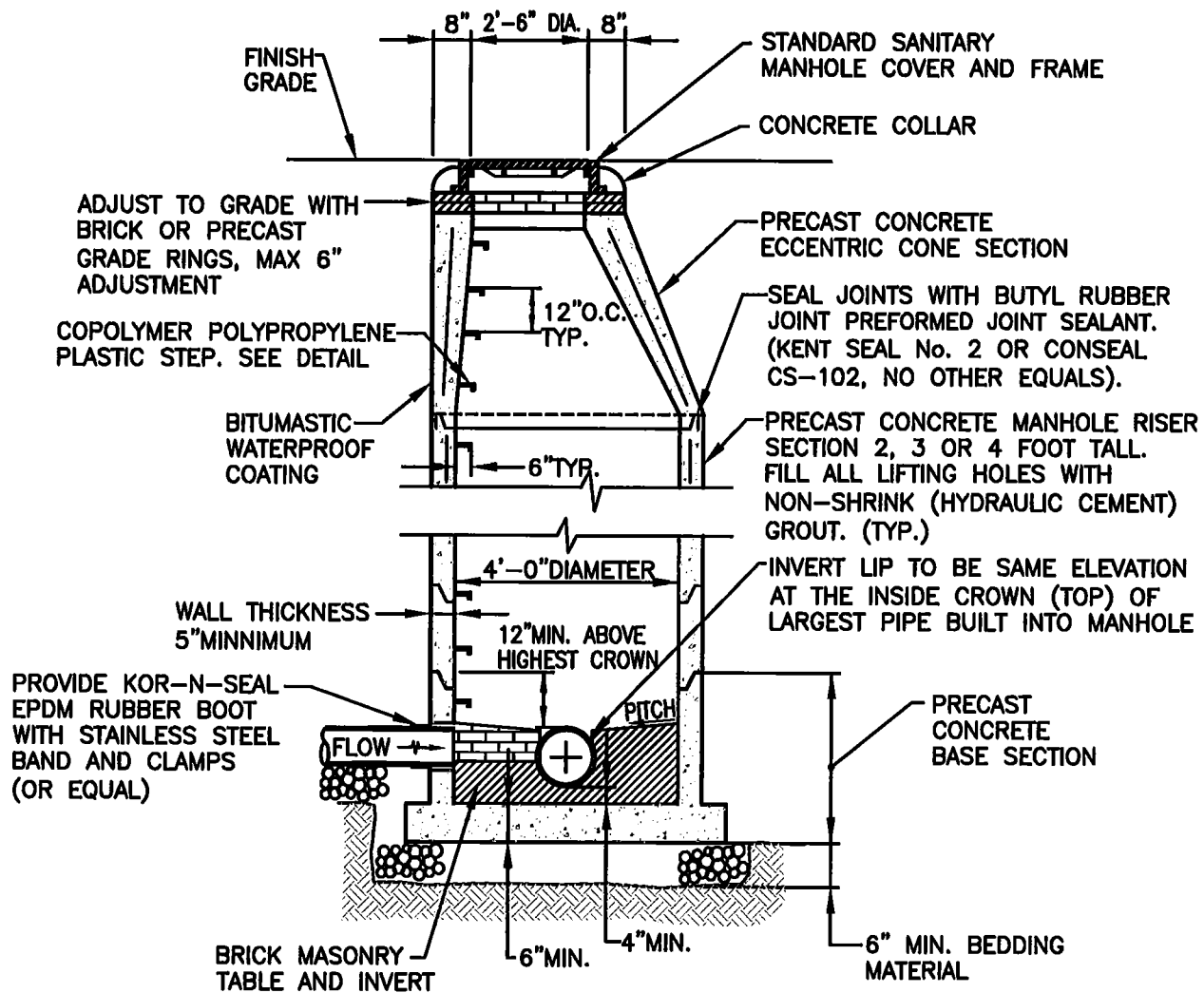
Date: May 2017

Scale: Not to Scale




WARWICK SEWER AUTHORITY

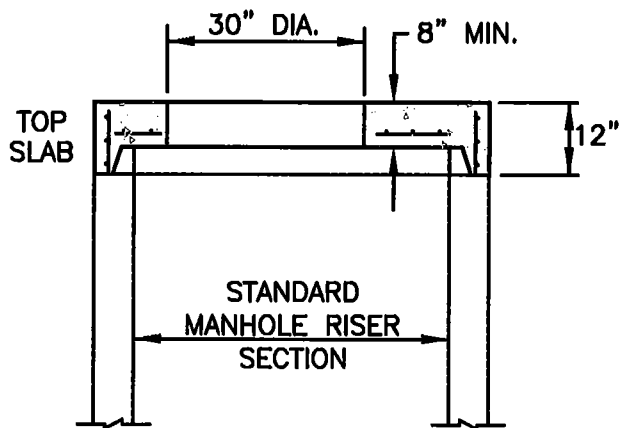
125 Arthur Devine Boulevard
Warwick, Rhode Island 02889



NOTES:

1. ALL JOINTS SHALL BE TONGUE AND GROOVE WITH BUTYL RUBBER JOINT PREFORMED SEALANT.
2. ALL LIFTING HOLES OR INDENTS ARE TO BE SEALED WITH NON-SHRINKING (HYDRAULIC CEMENT) GROUT.

Detail No. WSA - 3	
Sanitary Manhole	
Contract DD	
Date: May 2017	Scale: Not to Scale
	WARWICK SEWER AUTHORITY 125 Arthur Devine Boulevard Warwick, Rhode Island 02889



SLAB SHALL BE DESIGNED FOR H-20 HIGHWAY
LOADING AND SHALL BE MANUFACTURED IN
ACCORDANCE WITH ASTM-C-478

Detail No. WSA - 4
Flat Slab Manhole Top

Contract DD

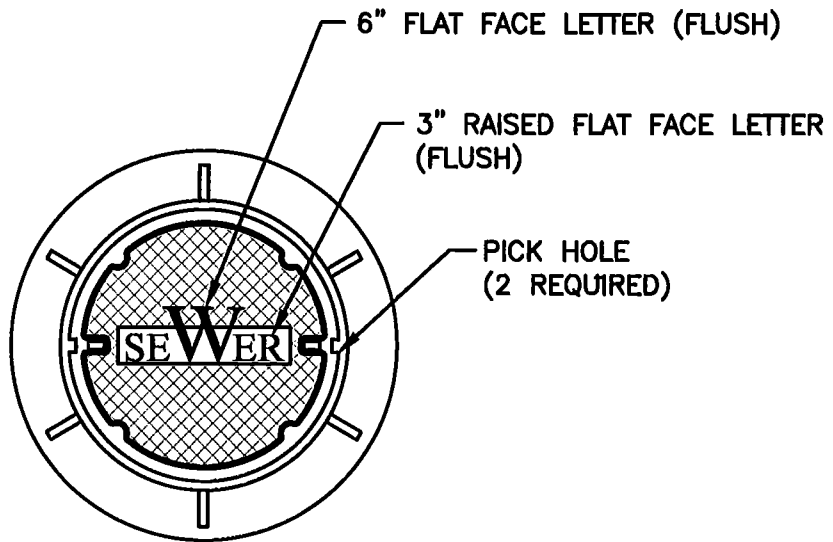
Date: May 2017

Scale: Not to Scale

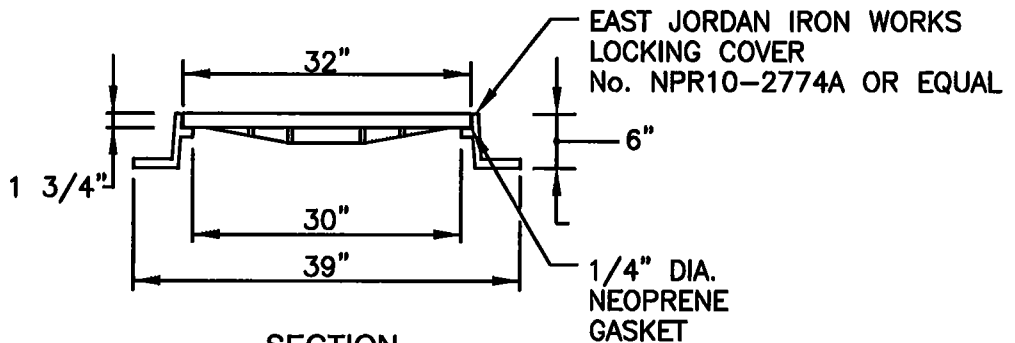


WARWICK SEWER AUTHORITY

125 Arthur Devine Boulevard
Warwick, Rhode Island 02889




PLAN

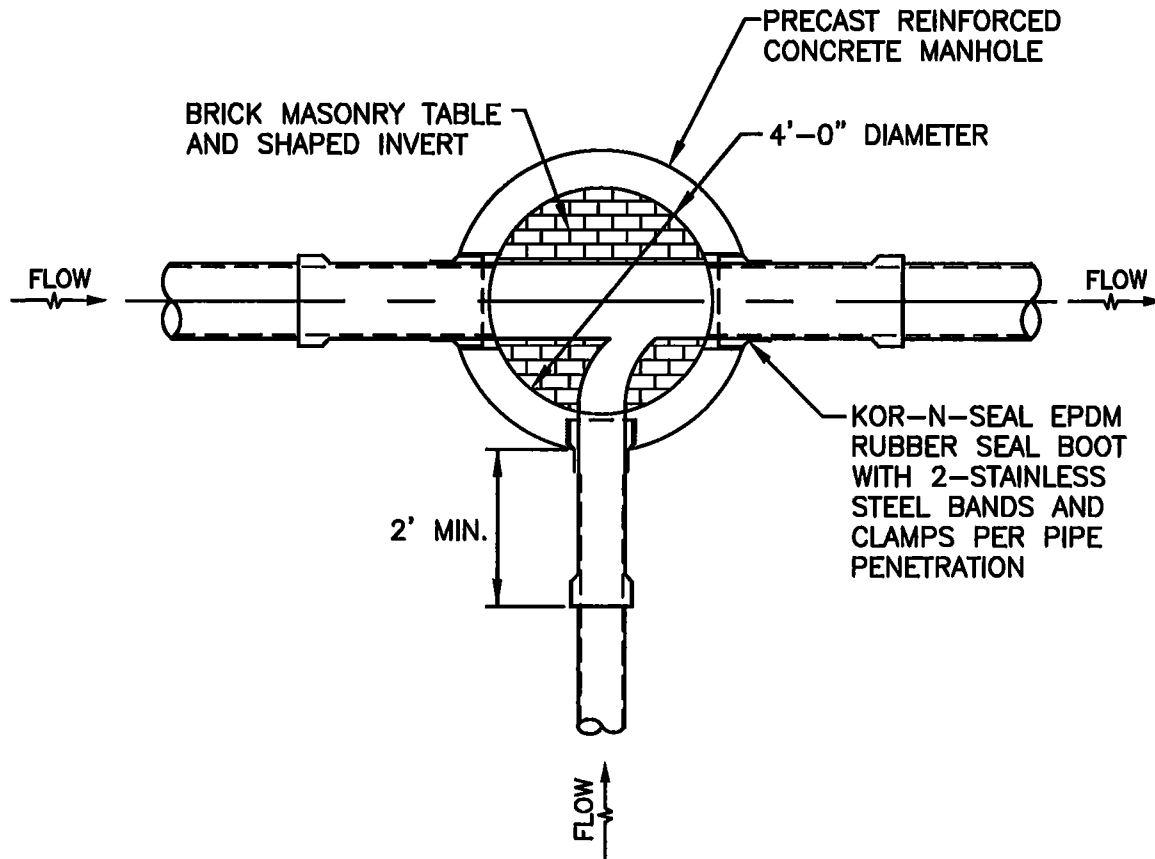


SECTION
STANDARD

NOTES:

1. ALL MANHOLES SHALL RECEIVE STANDARD COVERS UNLESS OTHERWISE INDICATED ON THE PLANS.
2. COVERS TO HAVE NO VENT HOLES.
3. COVER MUST BE SUITABLE FOR H-20 HIGHWAY LOADING.

Detail No. WSA - 5	
Sanitary Manhole Cover	
Contract DD	
Date: May 2017	Scale: Not to Scale
	WARWICK SEWER AUTHORITY 125 Arthur Devine Boulevard Warwick, Rhode Island 02889



PLAN

NOTES:

1. MINIMUM INVERT DROP BETWEEN INLET AND OUTLET PIPE SHALL BE 0.1'.
2. MAXIMUM INVERT DROP BETWEEN INLET AND OUTLET SHALL BE 24".

Detail No. WSA - 6
Manhole Invert Table

Contract DD

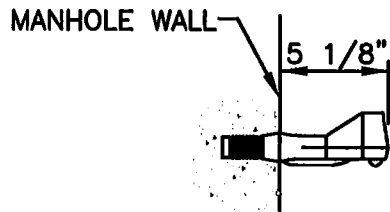
Date: May 2017

Scale: Not to Scale

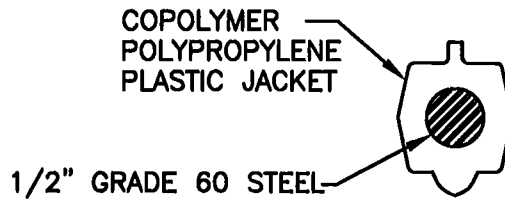


WARWICK SEWER AUTHORITY

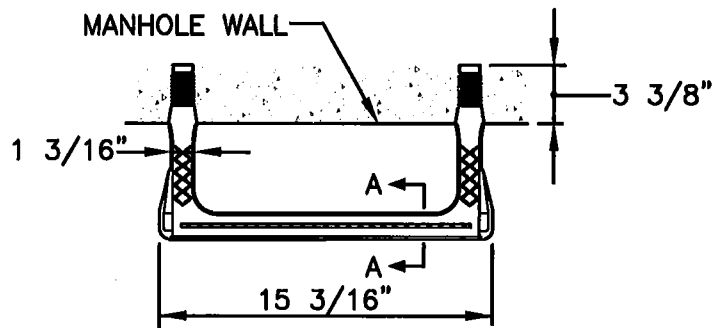
125 Arthur Devine Boulevard
Warwick, Rhode Island 02889




SECTIONAL SIDE VIEW

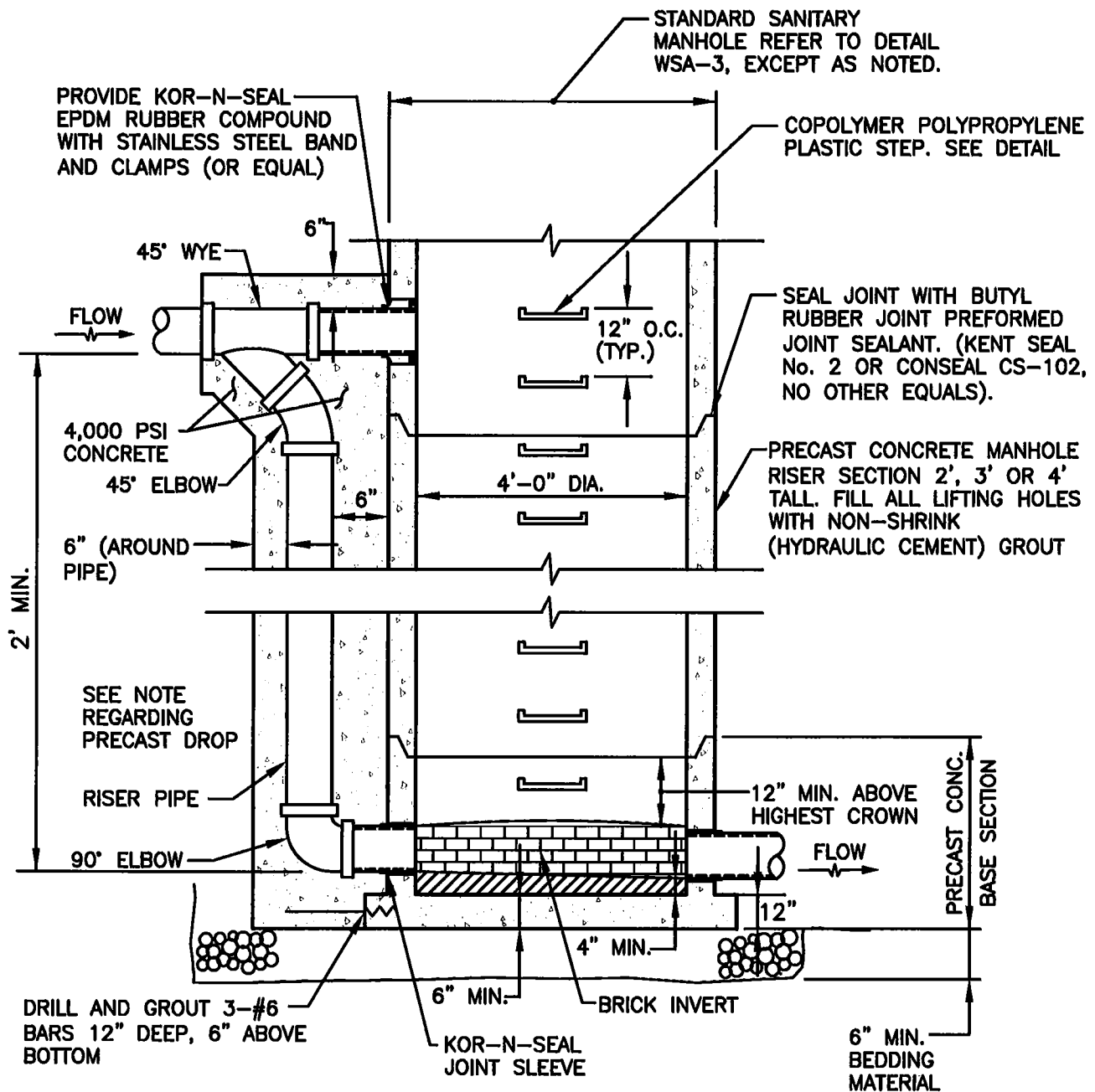


SECTION A-A




PLAN

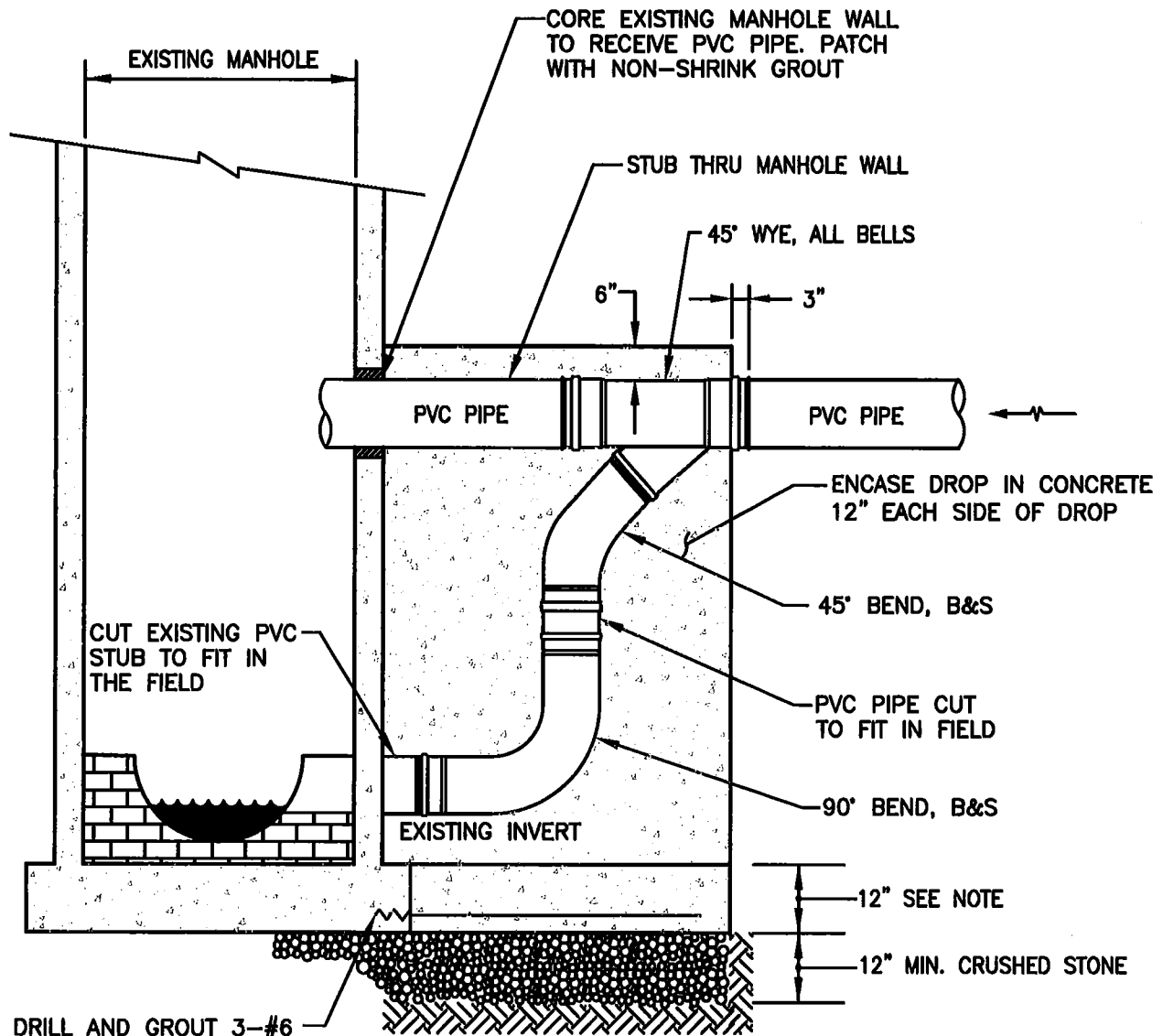
Detail No. WSA -7 Manhole Step	
Contract DD	
Date: May 2017	Scale: Not to Scale
	WARWICK SEWER AUTHORITY 125 Arthur Devine Boulevard Warwick, Rhode Island 02889



NOTES:

1. WHERE PRECAST DROPS ARE PROPOSED, THE CONTRACTOR SHALL SUBMIT DETAILED SHOP DRAWINGS OF THE DROP UNITS FOR APPROVAL BY THE ENGINEER PRIOR TO CONSTRUCTION.
2. RISER PIPE SHALL BE THE SAME DIAMETER AS THE INLET PIPE OR 8" DIAMETER, WHICHEVER IS LARGER.

<p>Detail No. WSA - 8</p> <p>Drop Manhole Detail</p>	
<p>Contract DD</p>	
<p>Date: May 2017</p>	<p>Scale: Not to Scale</p>
 <p>WARWICK SEWER AUTHORITY</p> <p>125 Arthur Devine Boulevard Warwick, Rhode Island 02889</p>	



DRILL AND GROUT 3-#6
BARS 12" DEEP, 6" ABOVE
BOTTOM

NOTE:
CONCRETE FOR DROP ASSEMBLY TO BE MIN.
4,000 PSI, HIGH-EARLY STRENGTH CONCRETE.

Detail No. WSA - 9
Drop Manhole on Existing Line

Contract DD

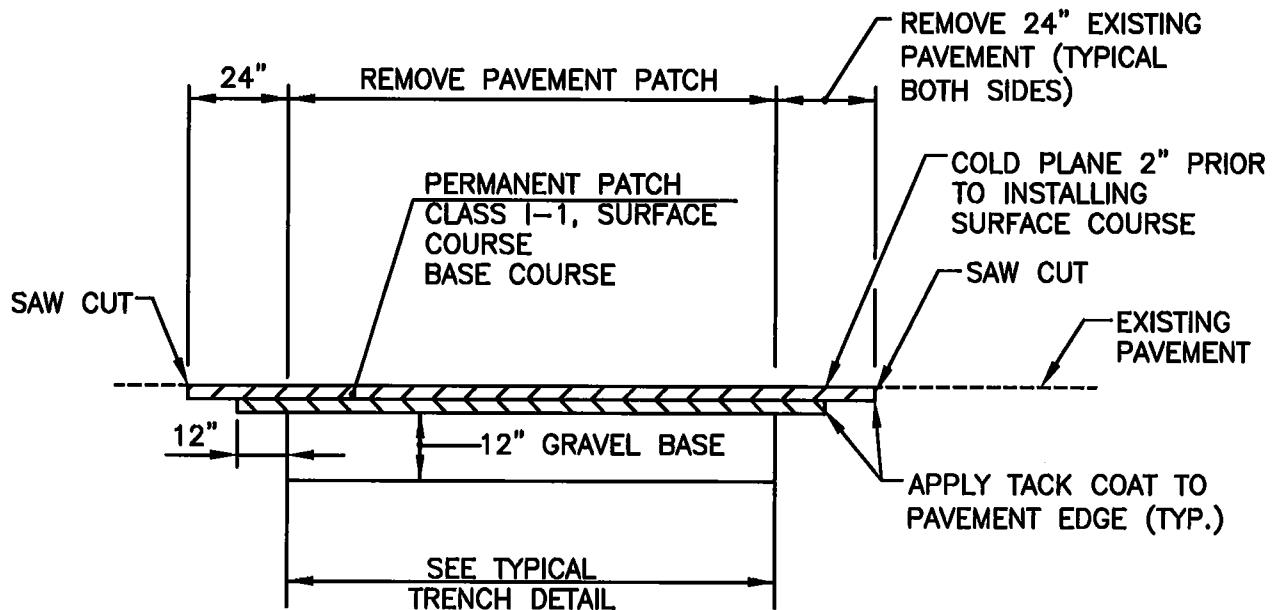
Date: May 2017

Scale: Not to Scale




WARWICK SEWER AUTHORITY

125 Arthur Devine Boulevard
Warwick, Rhode Island 02889

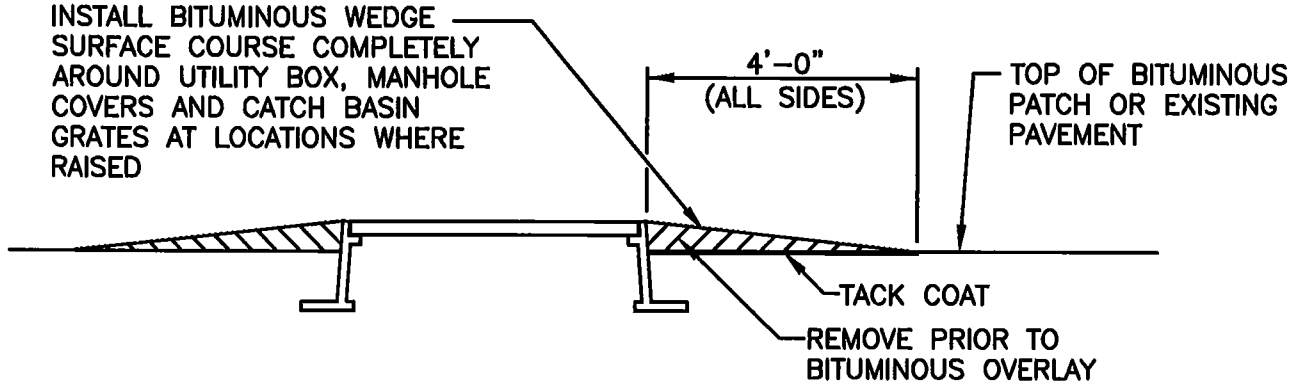



NOTES:

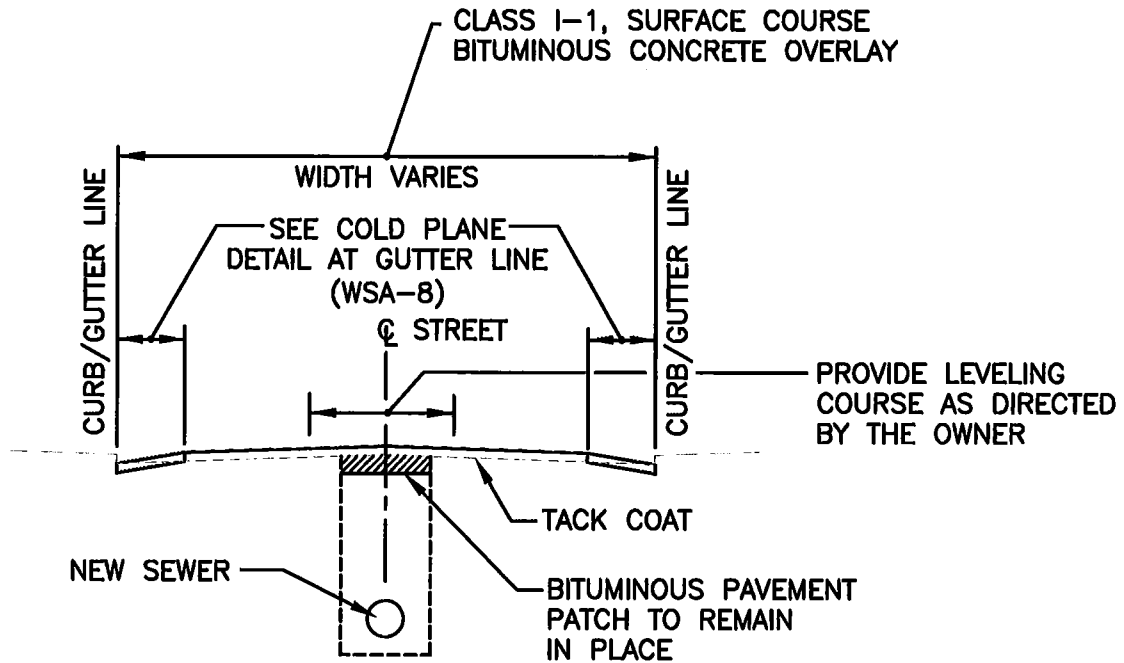
1. THIS DETAIL APPLIES TO ANY PORTION OF ROADWAY WHERE A PERMANENT 1 1/2" BITUMINOUS CONCRETE OVERLAY WILL NOT BE REQUIRED AND WHERE DIRECTED BY THE ENGINEER.
2. REFER TO PROJECT SPECIFIC PLANS FOR PROPOSED PAVEMENT DEPTHS.

<p>Detail No. WSA - 10 Permanent Trench Pavement</p>	
<p>Contract DD</p>	
<p>Date: May 2017</p>	<p>Scale: Not to Scale</p>
	<p>WARWICK SEWER AUTHORITY 125 Arthur Devine Boulevard Warwick, Rhode Island 02889</p>

INSTALL BITUMINOUS WEDGE
SURFACE COURSE COMPLETELY
AROUND UTILITY BOX, MANHOLE
COVERS AND CATCH BASIN
GRATES AT LOCATIONS WHERE
RAISED




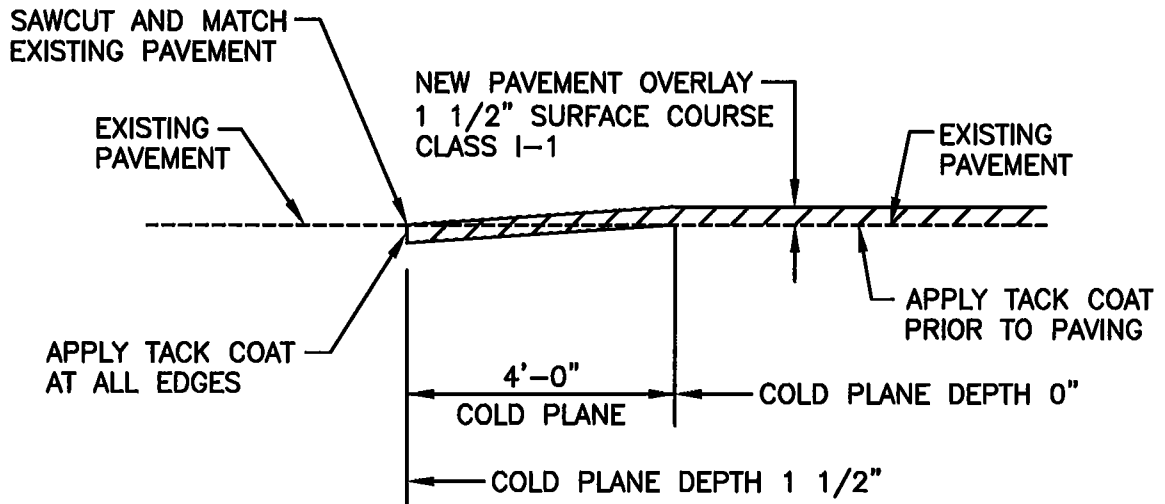
Detail No. WSA - 11	
Temporary Bituminous Wedge at Structures	
Contract DD	
Date: May 2017	Scale: Not to Scale
	WARWICK SEWER AUTHORITY 125 Arthur Devine Boulevard Warwick, Rhode Island 02889




NOTES:

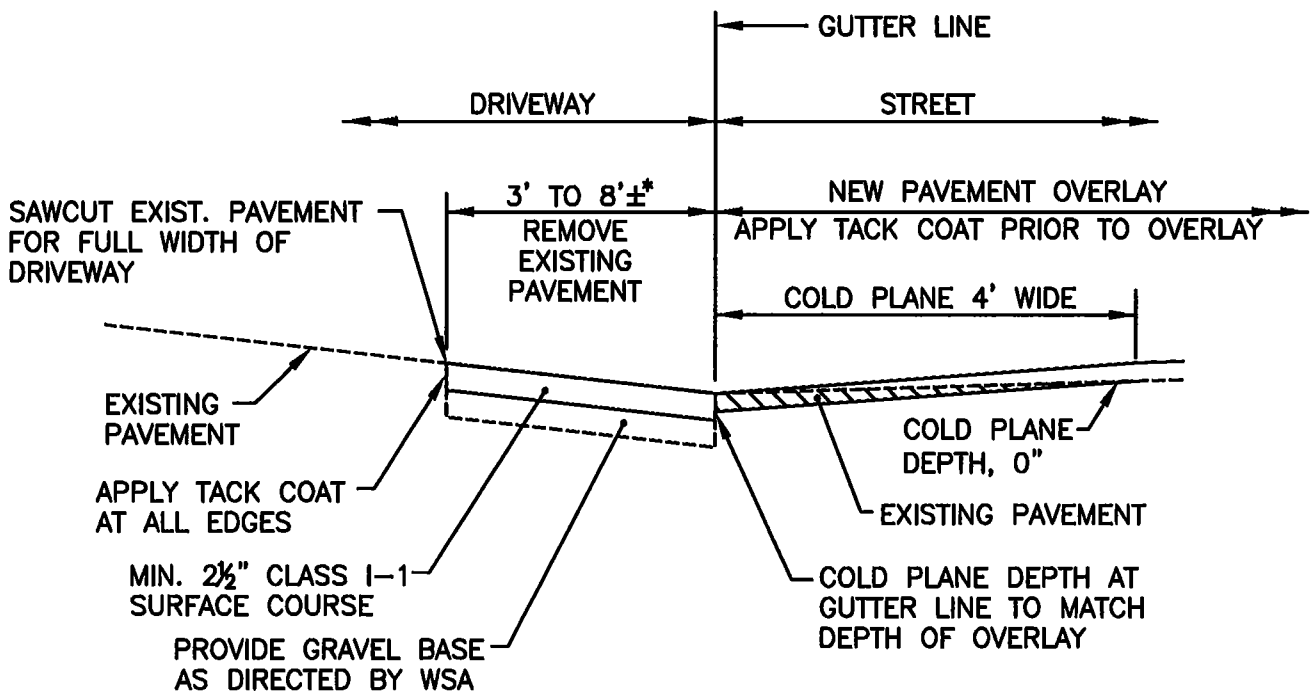
1. PAVEMENT MARKINGS TO BE REPLACED IN-KIND, UNLESS OTHERWISE NOTED.
2. PAVEMENT DEPTH TO BE IDENTIFIED IN THE SPECIFICATIONS OR PLANS.

Detail No. WSA - 12 Bituminous Overlay	
Contract DD	
Date: May 2017	Scale: Not to Scale
	WARWICK SEWER AUTHORITY 125 Arthur Devine Boulevard Warwick, Rhode Island 02889




NOTE:
 COLD PLANE DEPTH WILL INCREASE TO MATCH OVERLAY
 DEPTH IF MORE THAN 1 1/2" IS CALLED FOR ON PLANS
 OR SPECIFICATIONS.

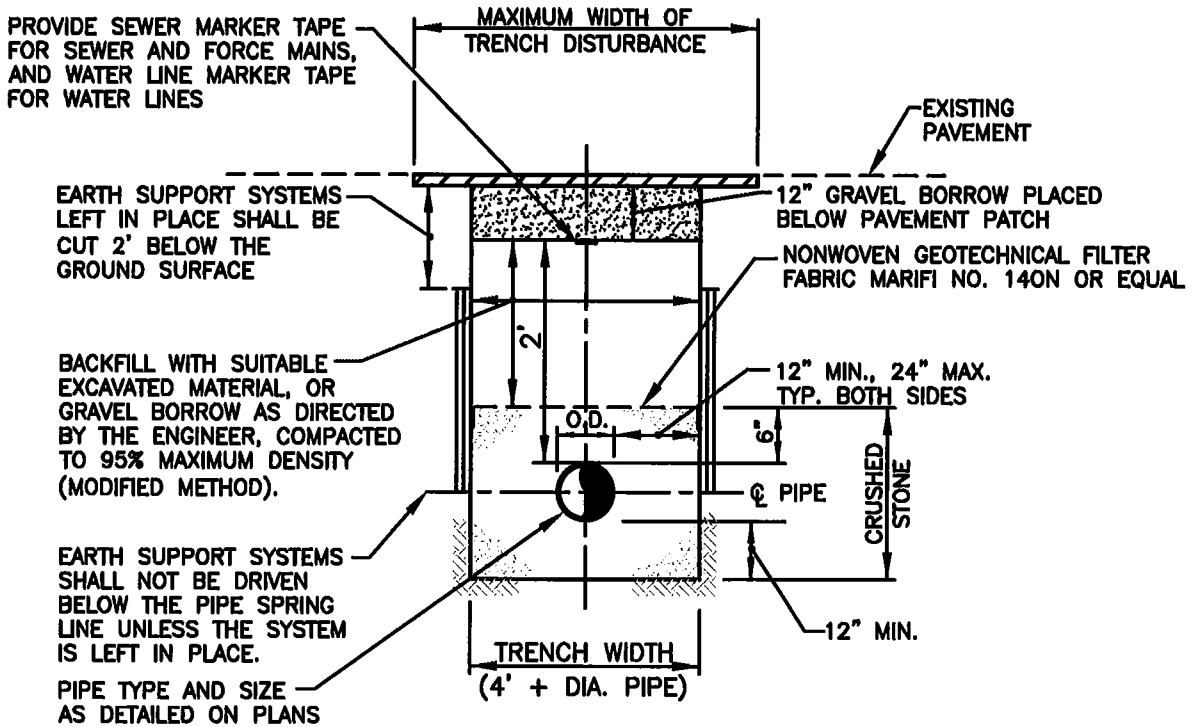
Detail No. WSA - 13	
Cut and Match Pavement - Local Street	
Contract DD	
Date: May 2017	Scale: Not to Scale
	WARWICK SEWER AUTHORITY 125 Arthur Devine Boulevard Warwick, Rhode Island 02889



NOTES:

- * 1. THE CONTRACTOR MAY INCREASE OR DECREASE THIS DIMENSION AS FIELD CONDITIONS WARRANT, SUBJECT TO WSA APPROVAL.
- 2. STREET OVERLAY AND DRIVEWAY SURFACE COURSE SHALL BE PLACED AT THE SAME TIME.
- 3. THE DRIVEWAY PAVEMENT DEPTH SHALL BE NO LESS THAN THE EXISTING DEPTH AND A MINIMUM OF 2 1/2".

Detail No. WSA - 14	
Cold Plane at Residential Driveway	
Contract DD	
Date: May 2017	Scale: Not to Scale
	WARWICK SEWER AUTHORITY 125 Arthur Devine Boulevard Warwick, Rhode Island 02889



NOTE:

AS A MINIMUM, FILTER FABRIC SHALL BE PLACED ON THE TOP OF THE BEDDING. PLACEMENT OF FILTER FABRIC ON THE TOP, BOTTOM AND SIDES OF THE BEDDING WILL BE DETERMINED ON A SITE SPECIFIC BASIS BY THE ENGINEER.

Detail No. WSA -15

Typical Trench

Contract DD

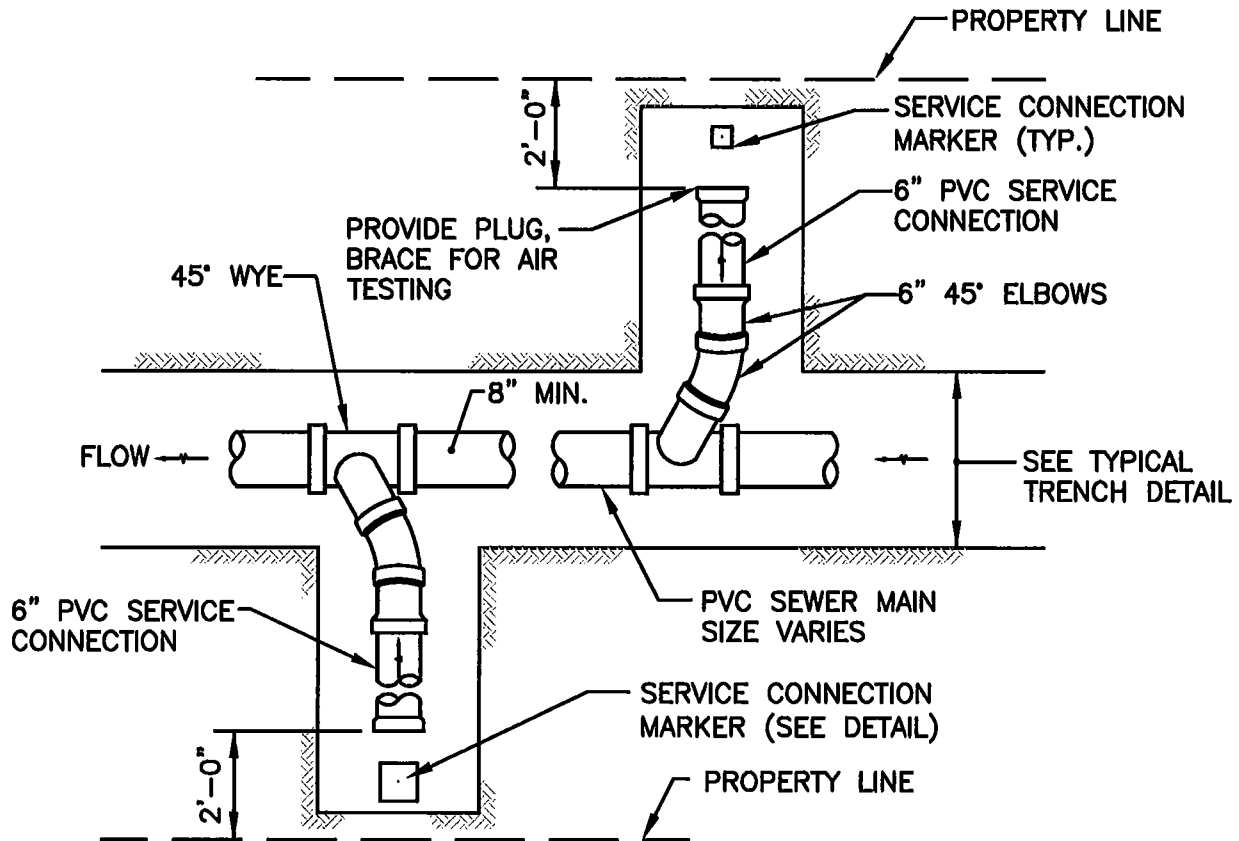
Date: May 2017

Scale: Not to Scale



WARWICK SEWER AUTHORITY


125 Arthur Devine Boulevard
Warwick, Rhode Island 02889

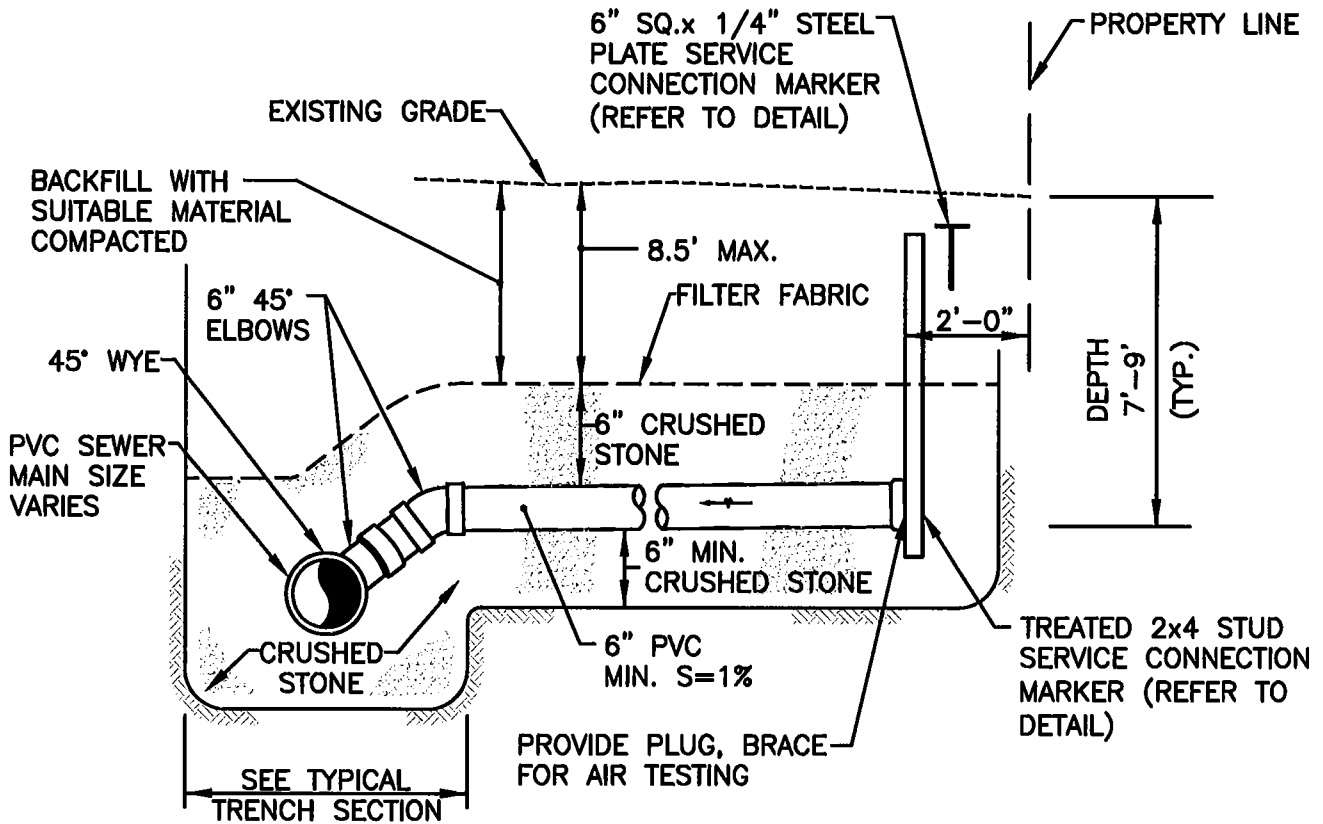


PLAN

NOTES:


1. FOR 6" SERVICE, MIN. SLOPE = 1%
2. PIPE SADDLE REQUIRED FOR CONNECTION TO EXISTING SEWER MAIN.

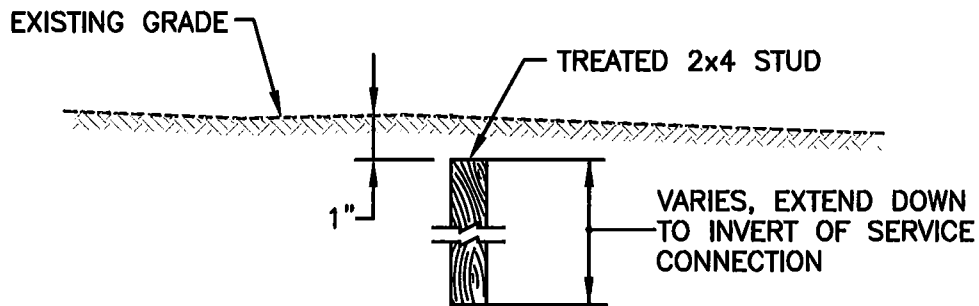
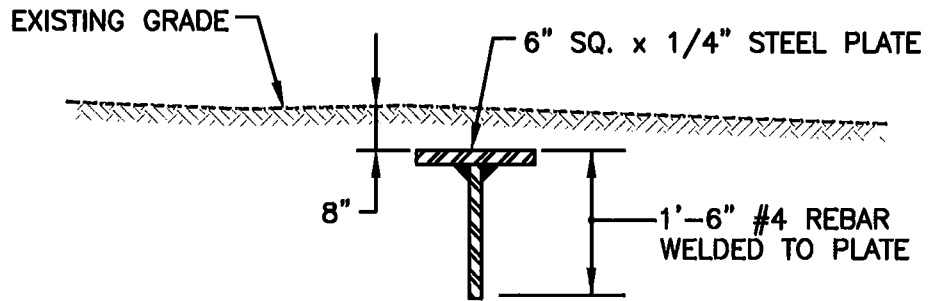
Detail No. WSA - 16	
Typical Service Connection Plan (Less Than 10' Depth)	
Contract DD	
Date: May 2017	Scale: Not to Scale
	WARWICK SEWER AUTHORITY 125 Arthur Devine Boulevard Warwick, Rhode Island 02889




PROFILE

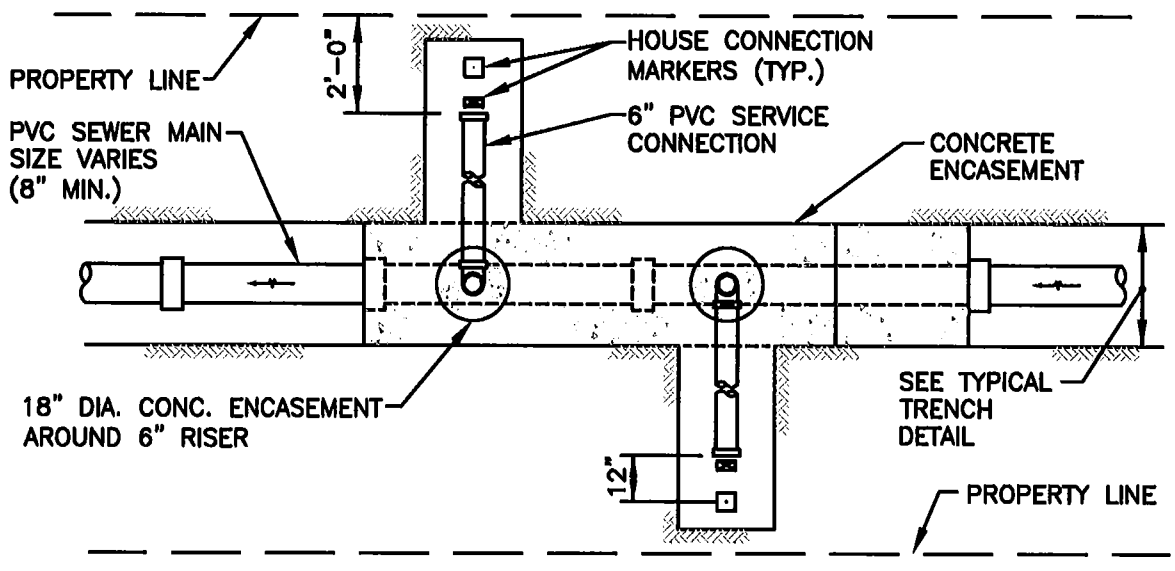
NOTE:
 AS A MINIMUM, FILTER FABRIC SHALL BE PLACED ON THE TOP OF THE BEDDING. PLACEMENT OF FILTER FABRIC ON THE TOP, BOTTOM AND SIDES OF THE BEDDING WILL BE DETERMINED ON A SITE SPECIFIC BASIS BY THE ENGINEER.

Detail No. WSA - 17	
Typical Service Connection Profile (Less Than 10' Depth)	
Contract DD	
Date: May 2017	Scale: Not to Scale
	WARWICK SEWER AUTHORITY 125 Arthur Devine Boulevard Warwick, Rhode Island 02889

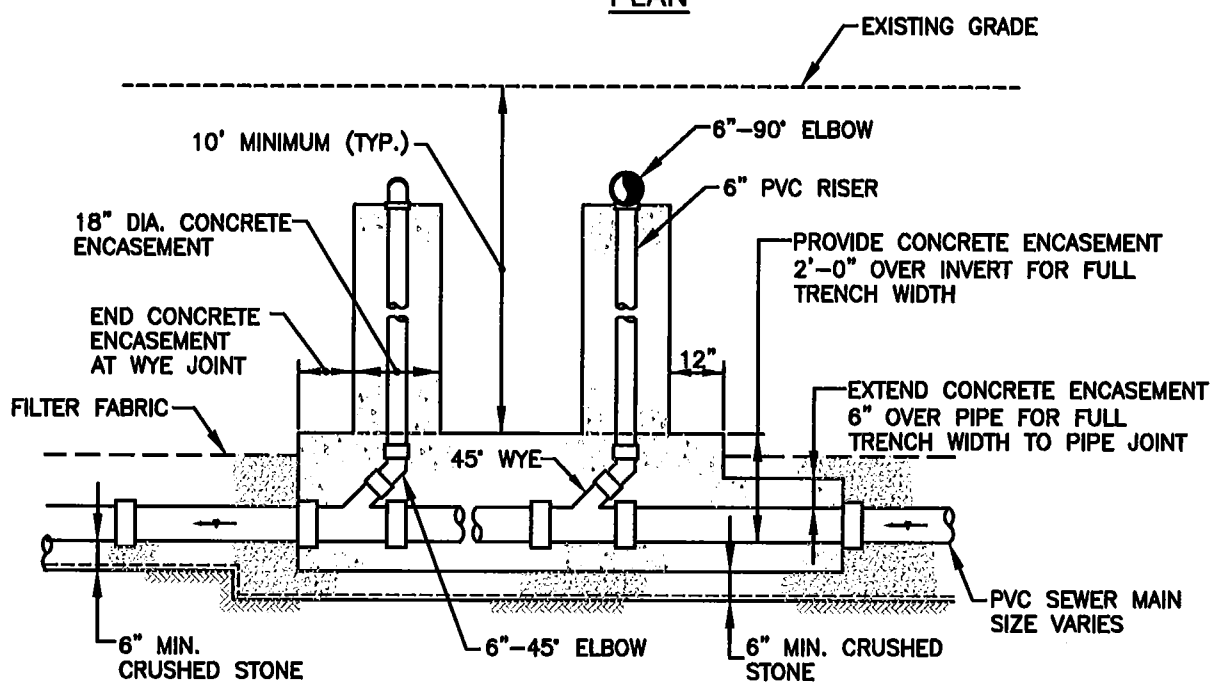


NOTE:
 BOTH WOOD STUD AND STEEL PLATE MARKERS ARE REQUIRED.

Detail No. WSA - 18 House Connection Marker	
Contract DD	
Date: May 2017	Scale: Not to Scale
	WARWICK SEWER AUTHORITY 125 Arthur Devine Boulevard Warwick, Rhode Island 02889




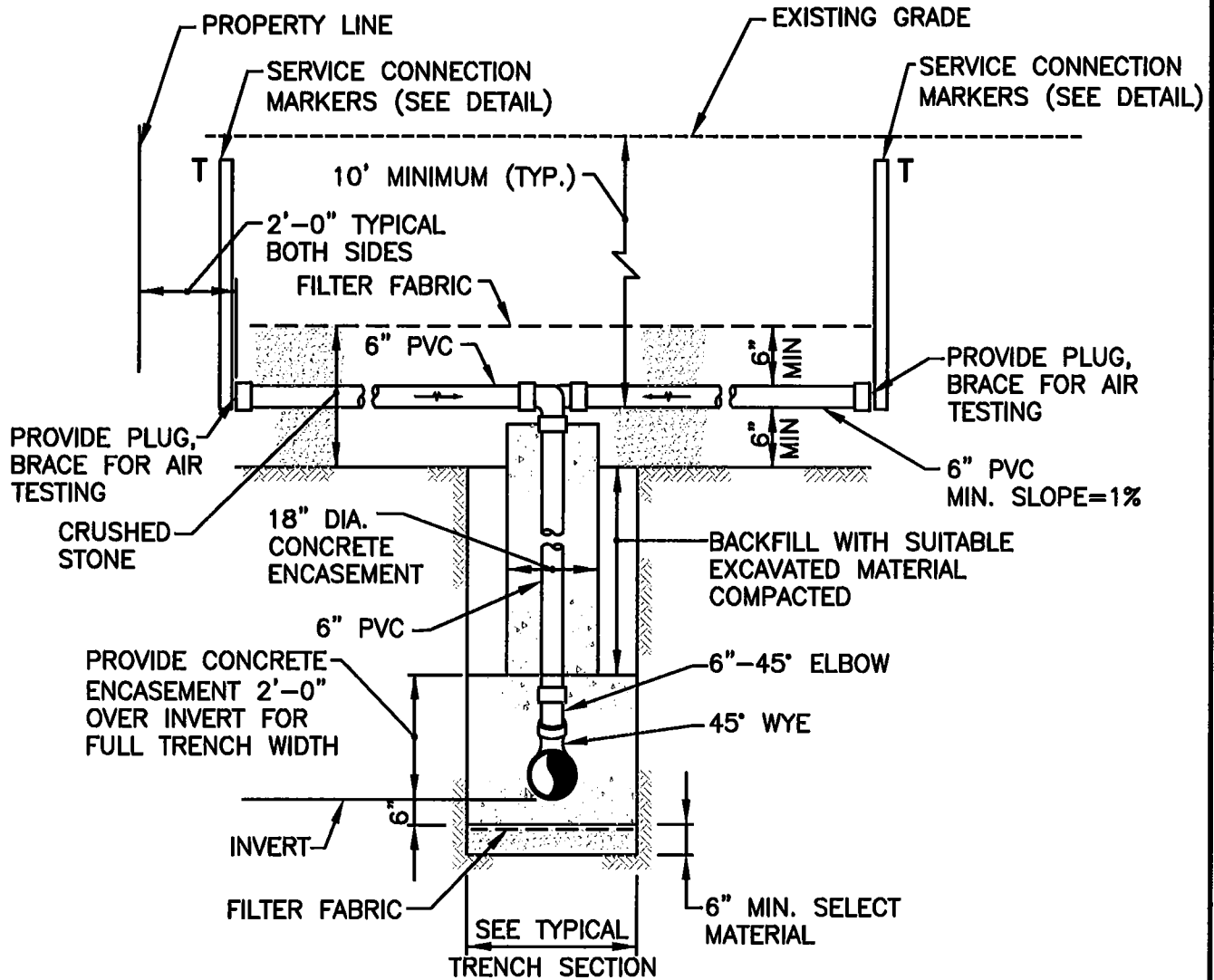
PLAN



PROFILE

NOTE:
 PRECAST DROPS MAY BE CONSIDERED AN ACCEPTABLE ALTERNATE TO CAST IN PLACE, HOWEVER THE CONTRACTOR SHALL SUBMIT DETAILED SHOP DRAWINGS OF THE DROP UNITS FOR REVIEW AND APPROVAL BY THE ENGINEER AND OWNER PRIOR TO CONSTRUCTION.


Detail No. WSA - 19 Chimney Plan & Profile for Service Connections (10' Depth or Greater)	
Contract DD	
Date: May 2017	Scale: Not to Scale
	WARWICK SEWER AUTHORITY 125 Arthur Devine Boulevard Warwick, Rhode Island 02889

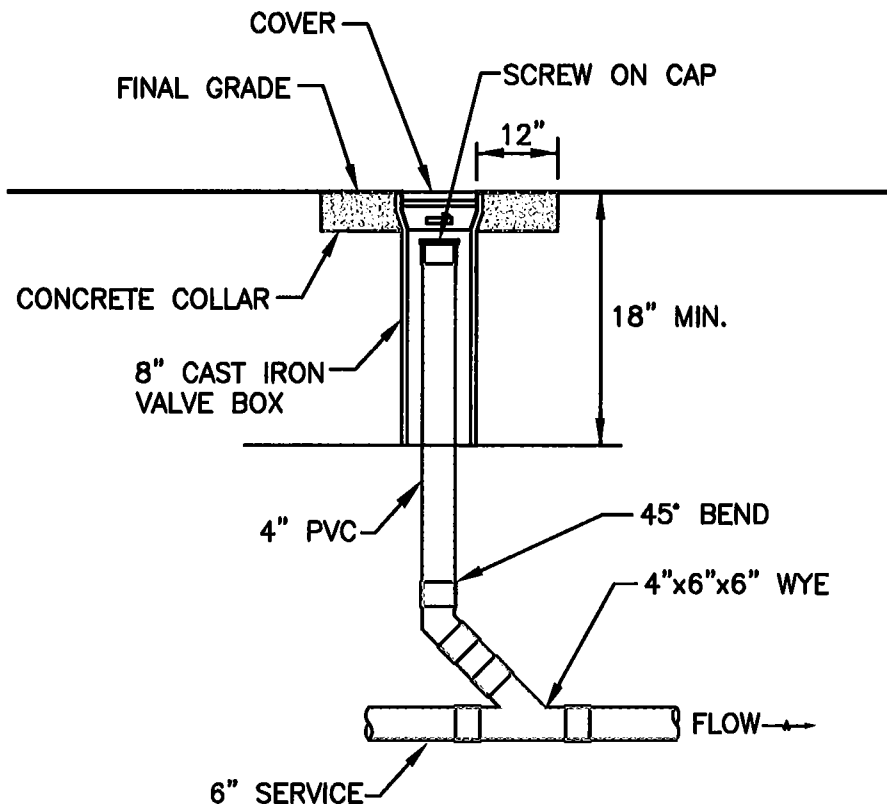


TYPICAL CROSS SECTION


NOTES:

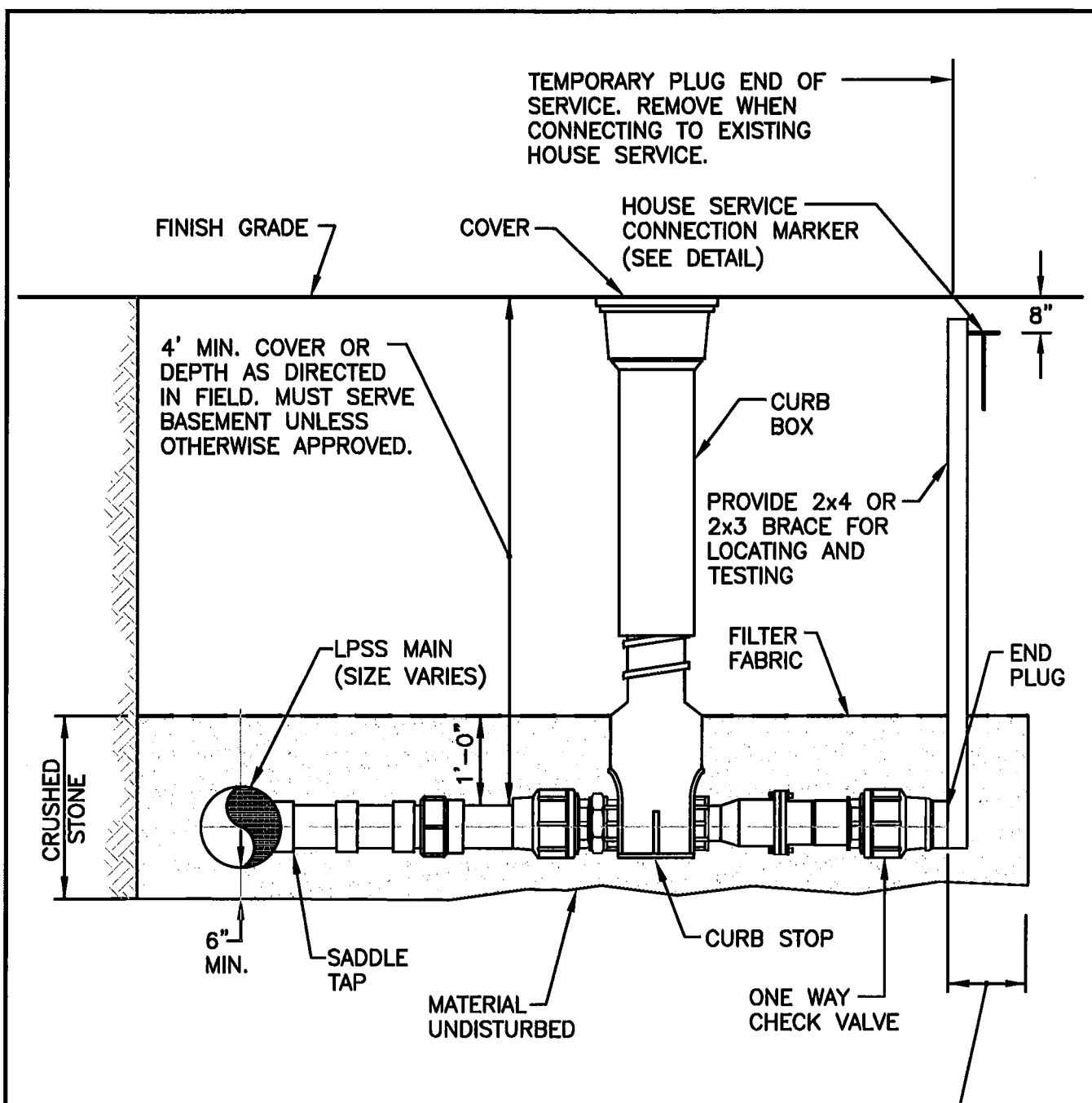
1. PRECAST DROPS MAY BE CONSIDERED AN ACCEPTABLE ALTERNATE TO CAST IN PLACE, HOWEVER THE CONTRACTOR SHALL SUBMIT DETAILED SHOP DRAWINGS OF THE DROP UNITS FOR REVIEW AND APPROVAL BY THE ENGINEER AND OWNER PRIOR TO CONSTRUCTION.
2. AS A MINIMUM, FILTER FABRIC SHALL BE PLACED ON THE TOP OF THE BEDDING. PLACEMENT OF FILTER FABRIC ON THE TOP, BOTTOM AND SIDES OF THE BEDDING WILL BE DETERMINED ON A SITE SPECIFIC BASIS BY THE ENGINEER.

Detail No. WSA - 20 Chimney Details for Service Connections (10' Depth or Greater)	
Contract DD	
Date: May 2017	Scale: Not to Scale
	WARWICK SEWER AUTHORITY 125 Arthur Devine Boulevard Warwick, Rhode Island 02889



NOTE:
 COVER SHALL BE CAST IRON, LOCKING LID MARKED SEWER
 AND DESIGNED FOR H-20 TRAFFIC LOADING.


Detail No. WSA - 21 Service Cleanout	
Contract DD	
Date: May 2017	Scale: Not to Scale
	WARWICK SEWER AUTHORITY 125 Arthur Devine Boulevard Warwick, Rhode Island 02889

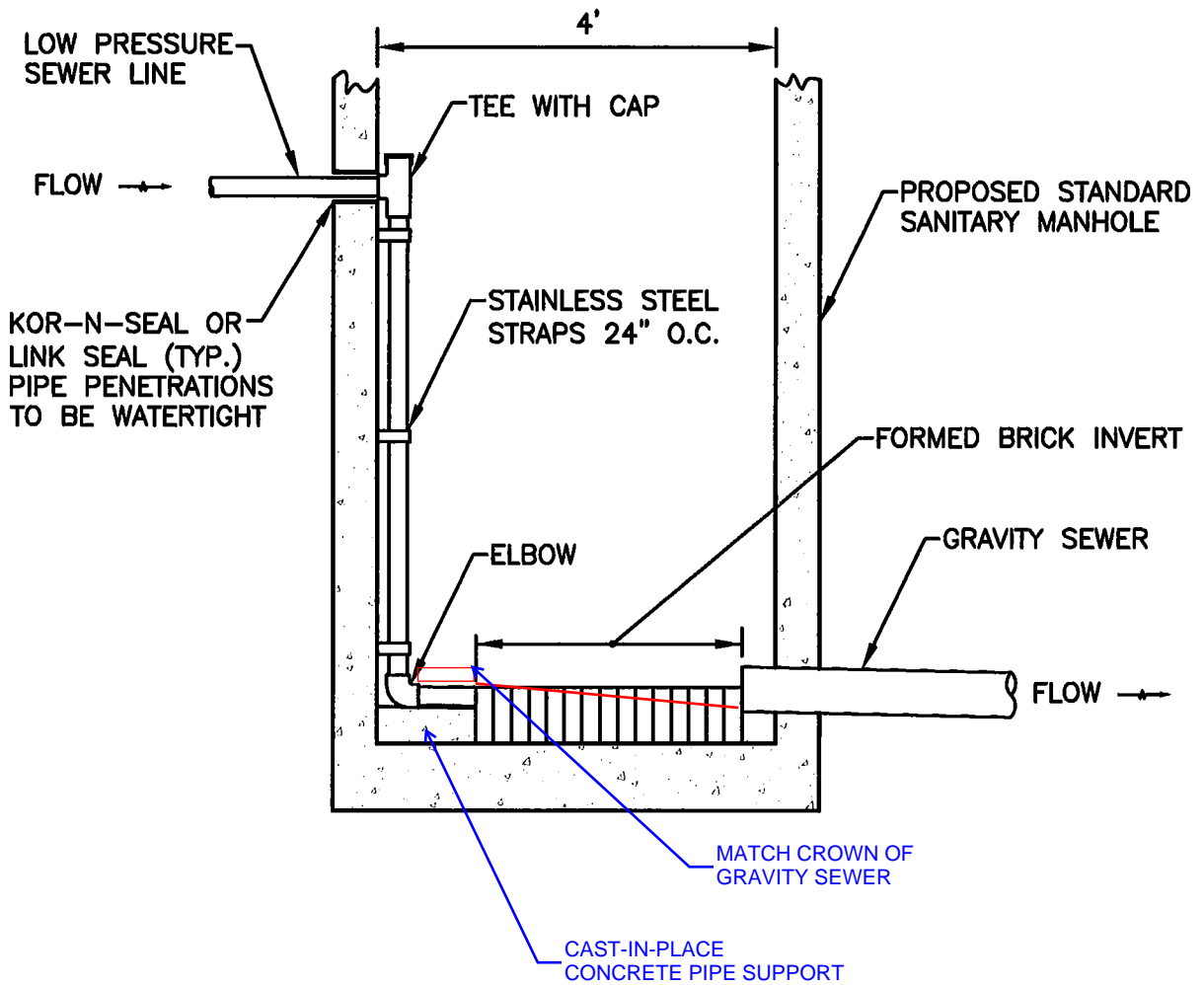


EXTEND CRUSHED STONE BED 2' BEYOND END PLUG

NOTES:

1. COVER SHALL BE CAST IRON, LOCKING LID MARKED SEWER AND DESIGNED FOR H-20 TRAFFIC LOADING.
2. AS A MINIMUM, FILTER FABRIC SHALL BE PLACED ON THE TOP OF THE BEDDING. PLACEMENT OF FILTER FABRIC ON THE TOP, BOTTOM AND SIDES OF THE BEDDING WILL BE DETERMINED ON A SITE SPECIFIC BASIS BY THE ENGINEER.

Detail No. WSA - 22	
Typical LPSS Service Connection	
Contract DD	
Date: May 2017	Scale: Not to Scale
	WARWICK SEWER AUTHORITY 125 Arthur Devine Boulevard Warwick, Rhode Island 02889



Detail No. WSA - 23
 LPSS Manhole Drop Connection

Contract DD

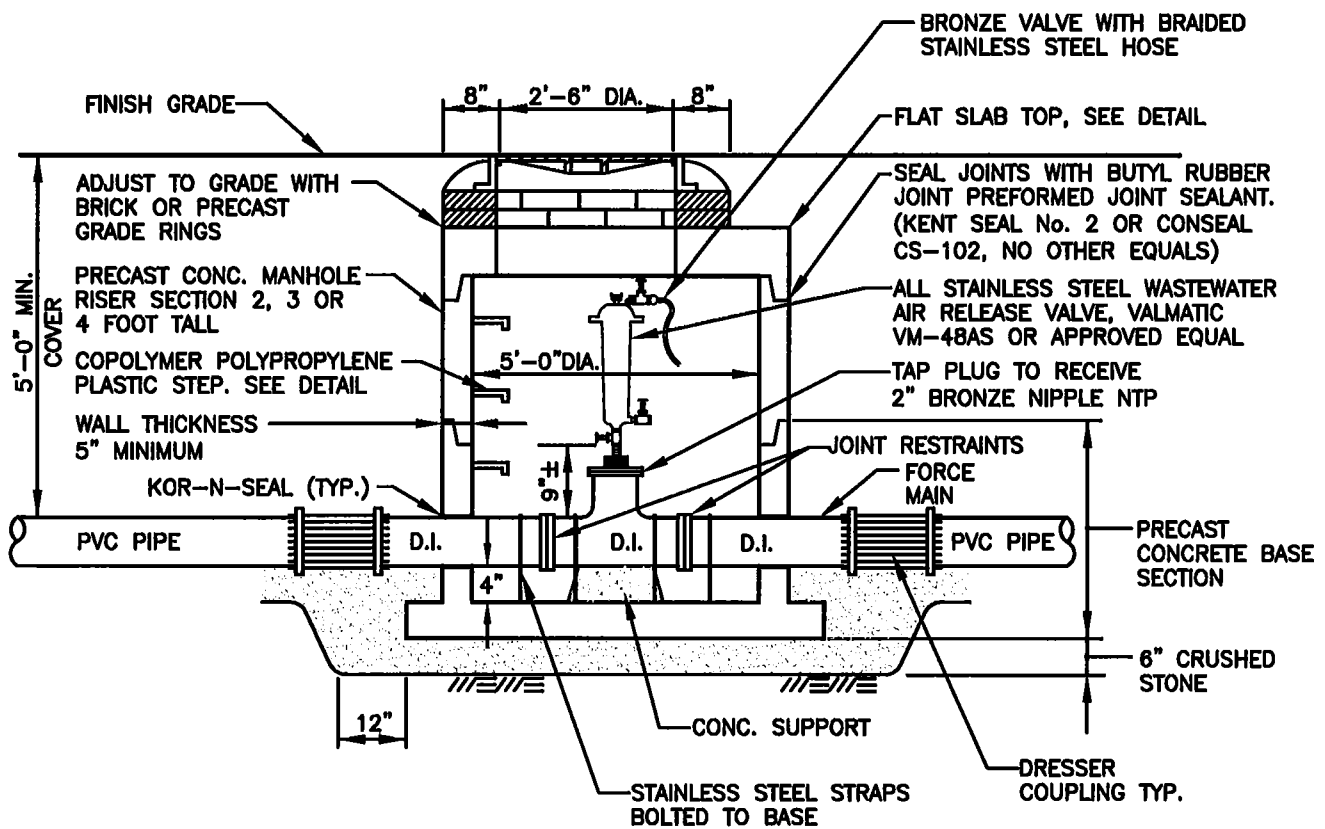
Date: May 2017

Scale: Not to Scale



WARWICK SEWER AUTHORITY

125 Arthur Devine Boulevard
 Warwick, Rhode Island 02889



Detail No. WSA -24
 Force Main Air Release Manhole
 Contract DD

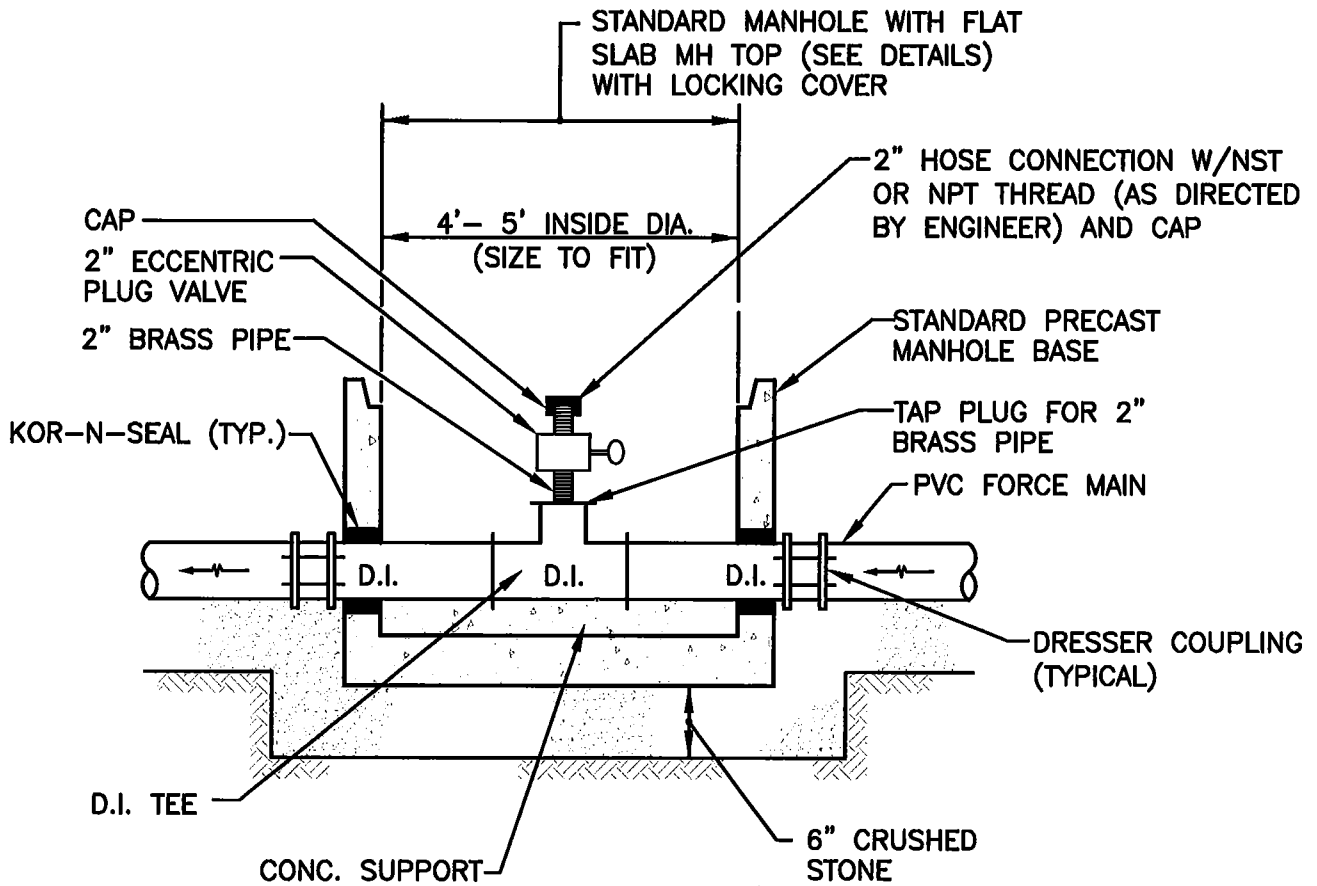
Date: May 2017

Scale: Not to Scale



WARWICK SEWER AUTHORITY

125 Arthur Devine Boulevard
 Warwick, Rhode Island 02889



NOTES:

1. MANHOLE DIAMETER SUBJECT TO WSA APPROVAL.
2. INSTALL STAINLESS STEEL ANCHOR STRAPS.

Detail No. WSA - 25
Force Main Cleanout Manhole

Contract DD

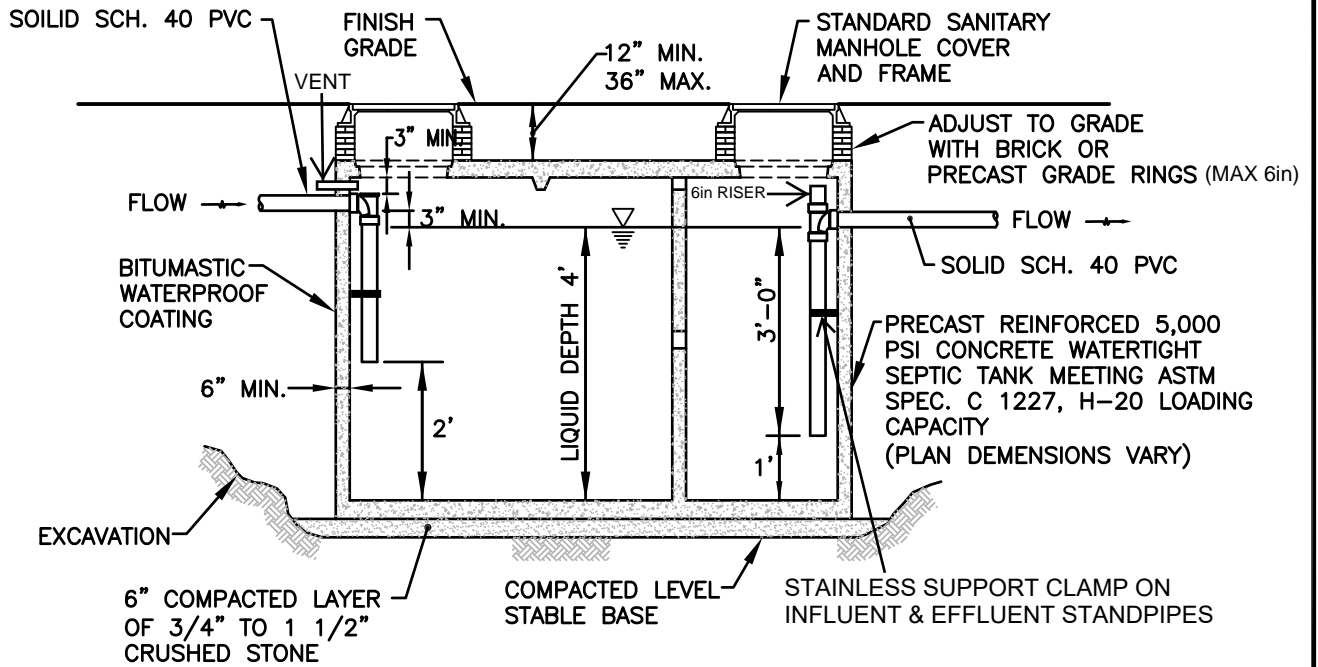
Date: May 2017

Scale: Not to Scale

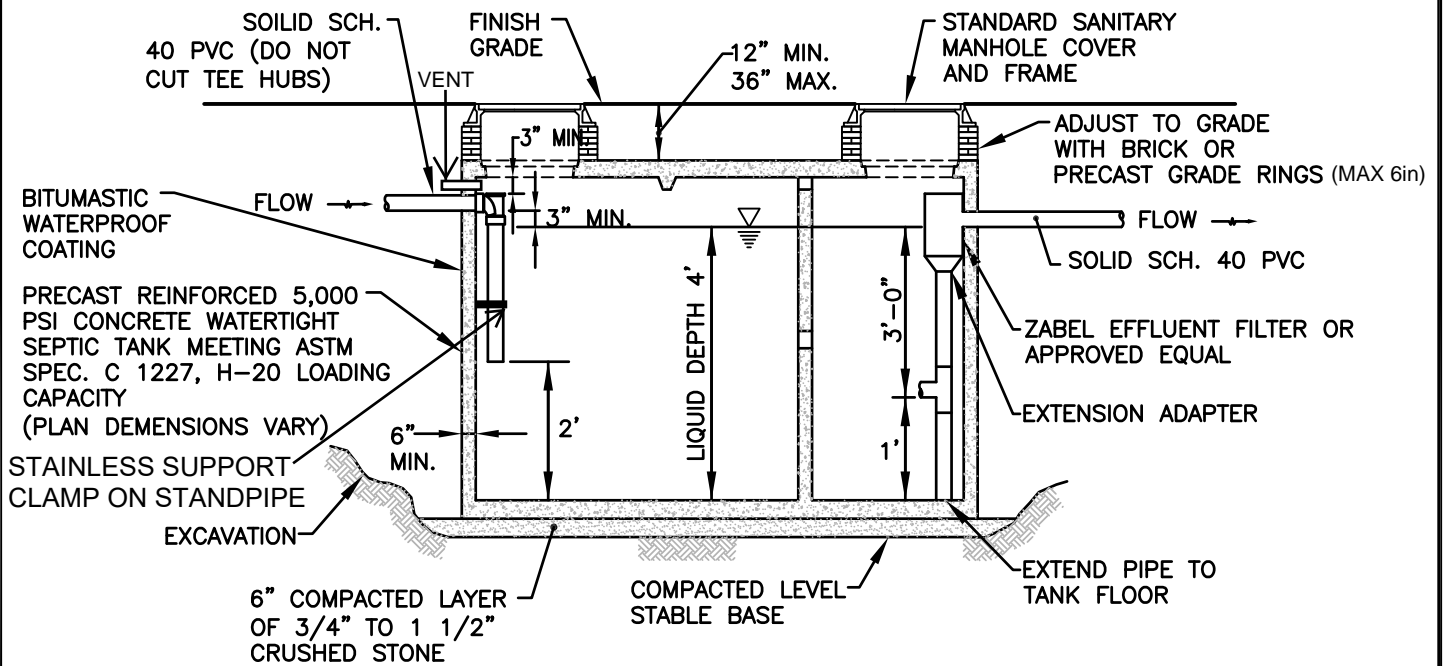


WARWICK SEWER AUTHORITY

125 Arthur Devine Boulevard
Warwick, Rhode Island 02889



TYPICAL GREASE INTERCEPTOR



GREASE INTERCEPTOR WITH ZABEL FILTER

NOTE:

ZABEL EFFLUENT FILTER MODEL TO BE BASED UPON MAXIMUM DAILY FLOW RATE. MODEL A300 TO BE USED FOR FLOWS TO 6,000 GPD.

Detail No. WSA - 26 (1 of 2)

Grease Interceptor

Contract DD

Date: DEC 2019

Scale: Not to Scale



WARWICK SEWER AUTHORITY

125 Arthur Devine Boulevard
Warwick, Rhode Island 02889

Grease Interceptor Checklist

Interceptor with standard effluent tee:

- Tank has H2O loading capacity
- Bitumastic waterproof coating
- Influent and effluent tees visible in cover opening
- Influent and effluent tees have at least 1 stainless support strap
- Effluent tee has 6in riser
- Influent standpipe 24in off bottom of tank
- Effluent standpipe 12in off bottom of tank
- At least 2 manhole covers over tees. Larger tanks (2000+) may require 3 manhole covers with third near center for proper cleaning.

Interceptor with Zabel filter additional items:

Zabel filter must be installed according to manufacturer's specifications.

- Support pipe installed to floor under the filter with tee opening position 12in off the floor (stainless strap not needed if space does not allow).
- Support pipe under the tee must have at least four 1in holes near bottom for draining during tank cleanings.
- Handle extension must be installed on the filter if it cannot be safely reached.

Detail No. WSA - 26 (2 of 2)
Grease Interceptor

Contract DD

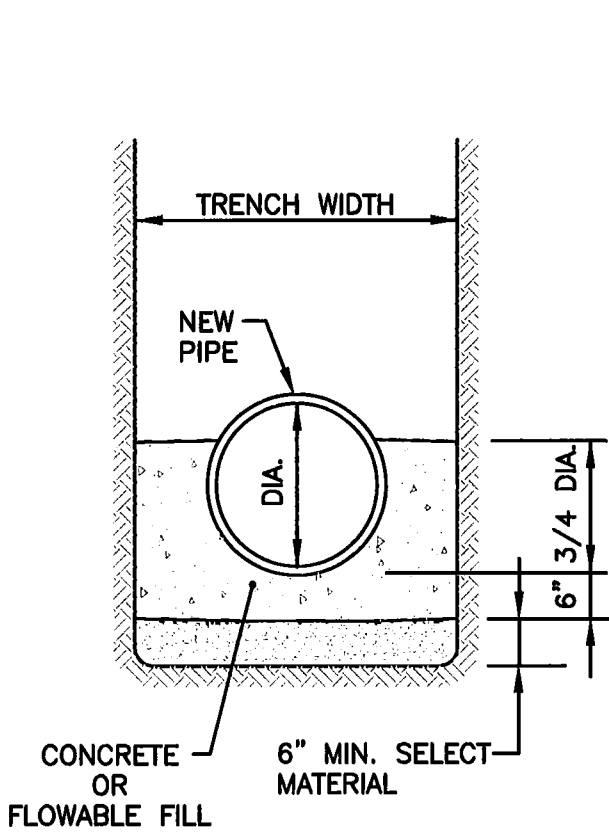
Date: DEC 2019

Scale: Not to Scale

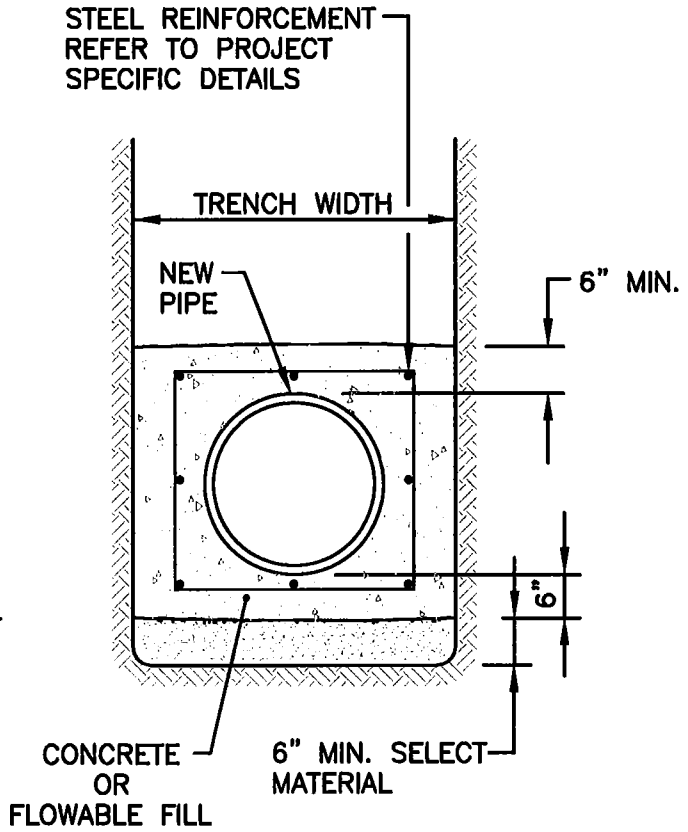


WARWICK SEWER AUTHORITY

125 Arthur Devine Boulevard
Warwick, Rhode Island 02889




HALF CRADLE

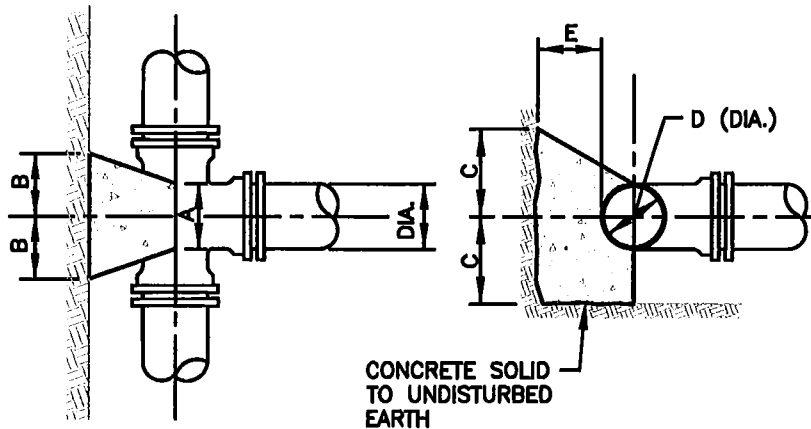


FULL CRADLE and ENCASEMENT

NOTE:

THE USE OF CONCRETE VS. FLOWABLE FILL WILL BE DETERMINED ON A SITE SPECIFIC BASIS BY THE ENGINEER

Detail No. WSA - 27	
Pipe Cradle	
Contract DD	
Date: May 2017	Scale: Not to Scale
	WARWICK SEWER AUTHORITY 125 Arthur Devine Boulevard Warwick, Rhode Island 02889



PLAN

SECTION

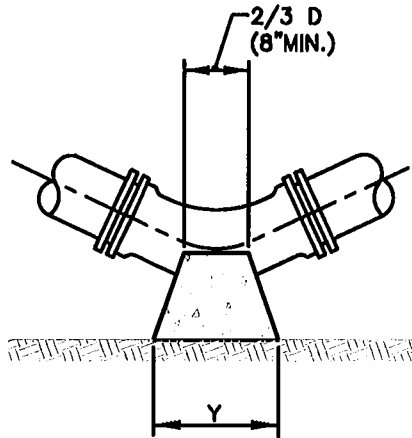
TEES and END CAPS

TEES						
		PIPE SIZE—D (DIA.)				
		6"	8"	12"	16"	20"
	A	8"	10"	1'-0"	1'-3"	1'-6"
	B	8"	10"	1'-2"	1'-4"	1'-6"
	C	10"	1'-0"	1'-3"	1'-6"	1'-8"
	E	8"	10"	1'-2"	1'-6"	1'-10"
END CAPS						
	A	6"	8"	1'-0"	1'-4"	1'-8"
	B	8"	10"	1'-2"	1'-6"	1'-10"
	C	8"	10"	1'-2"	1'-6"	1'-10"
	E	8"	10"	1'-2"	1'-6"	1'-10"

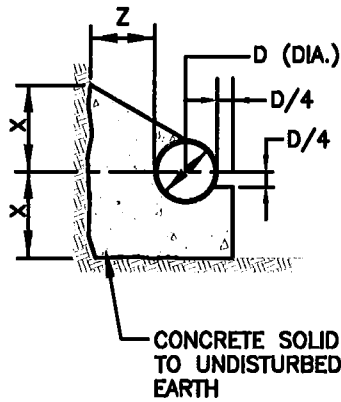
NOTE:

THE DIMENSIONS PROVIDED REPRESENT THE MINIMUM REQUIREMENTS. THE ACTUAL THRUST BLOCK DIMENSIONS WILL BE BASED UPON THE SOIL BEARING CAPACITY AND SYSTEM PRESSURE ON A PROJECT SPECIFIC BASIS.

Detail No. WSA - 28 Thrust Block Details (Tees and End Caps)	
Contract DD	
Date: May 2017	Scale: Not to Scale
	WARWICK SEWER AUTHORITY
	125 Arthur Devine Boulevard Warwick, Rhode Island 02889



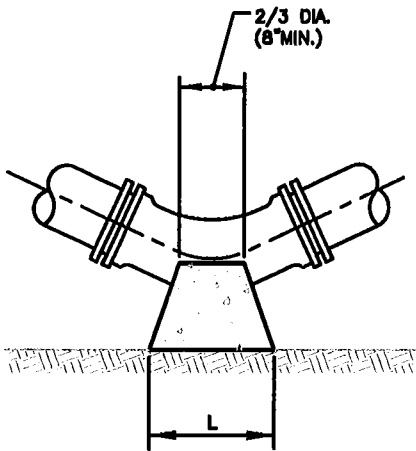
PLAN



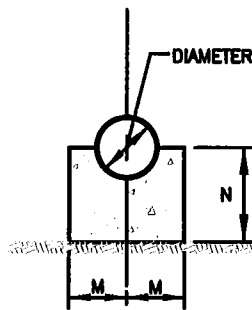
SECTION

BEND		HORIZONTAL BENDS				
		PIPE SIZE-D (DIA.)				
		6"	8"	12"	16"	20"
1/8	X	1'-0"	1'-0"	1'-0"	1'-3"	1'-6"
	Y	1'-0"	1'-6"	2'-0"	2'-6"	3'-0"
	Z	8"	10"	1'-2"	1'-4"	1'-6"
1/16	X	1'-0"	1'-0"	1'-0"	1'-3"	1'-6"
	Y	1'-0"	1'-4"	1'-6"	1'-9"	2'-6"
	Z	8"	10"	1'-2"	1'-4"	1'-6"
1/32	X	1'-0"	1'-0"	1'-0"	1'-2"	1'-4"
	Y	1'-0"	1'-0"	1'-2"	1'-4"	1'-6"
	Z	8"	10"	1'-2"	1'-4"	1'-6"

HORIZONTAL BENDS



ELEVATION




SECTION

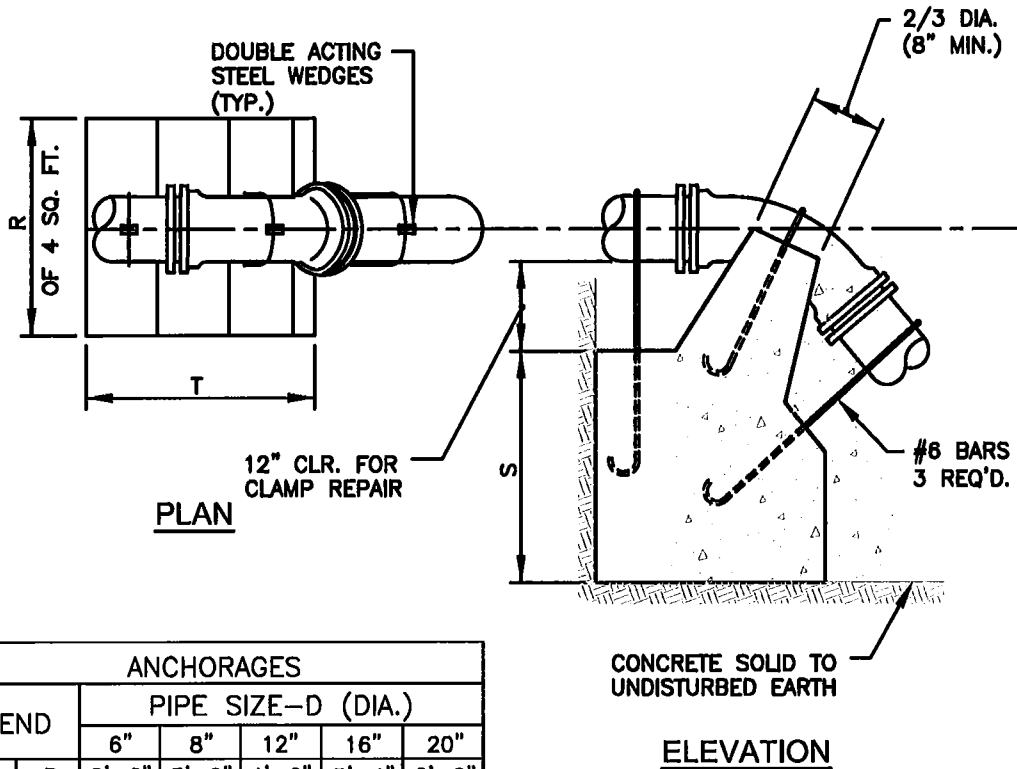
BEND		VERTICAL BENDS				
		PIPE SIZE-D (DIA.)				
		6"	8"	12"	16"	20"
1/8	L	1'-3"	1'-8"	2'-6"	3'-6"	4'-8"
	M	7"	8"	11"	1'-4"	1'-6"
	N	7"	8"	11"	1'-4"	1'-6"
1/16	L	9"	1'-0"	1'-9"	2'-6"	3'-0"
	M	7"	7"	10"	1'-0"	1'-2"
	N	7"	7"	8"	10"	1'-0"
1/32	L	6"	8"	1'-0"	1'-4"	1'-9"
	M	7"	7"	10"	1'-0"	1'-2"
	N	7"	7"	8"	10"	1'-0"

VERTICAL BENDS

NOTE:

THE DIMENSIONS PROVIDED REPRESENT THE MINIMUM REQUIREMENTS. THE ACTUAL THRUST BLOCK DIMENSIONS WILL BE BASED UPON THE SOIL BEARING CAPACITY AND SYSTEM PRESSURE ON A PROJECT SPECIFIC BASIS.


Detail No. WSA - 29 Thrust Block Details (Horizontal and Vertical Bends)	
Contract DD	
Date: May 2017	Scale: Not to Scale
	WARWICK SEWER AUTHORITY 125 Arthur Devine Boulevard Warwick, Rhode Island 02889

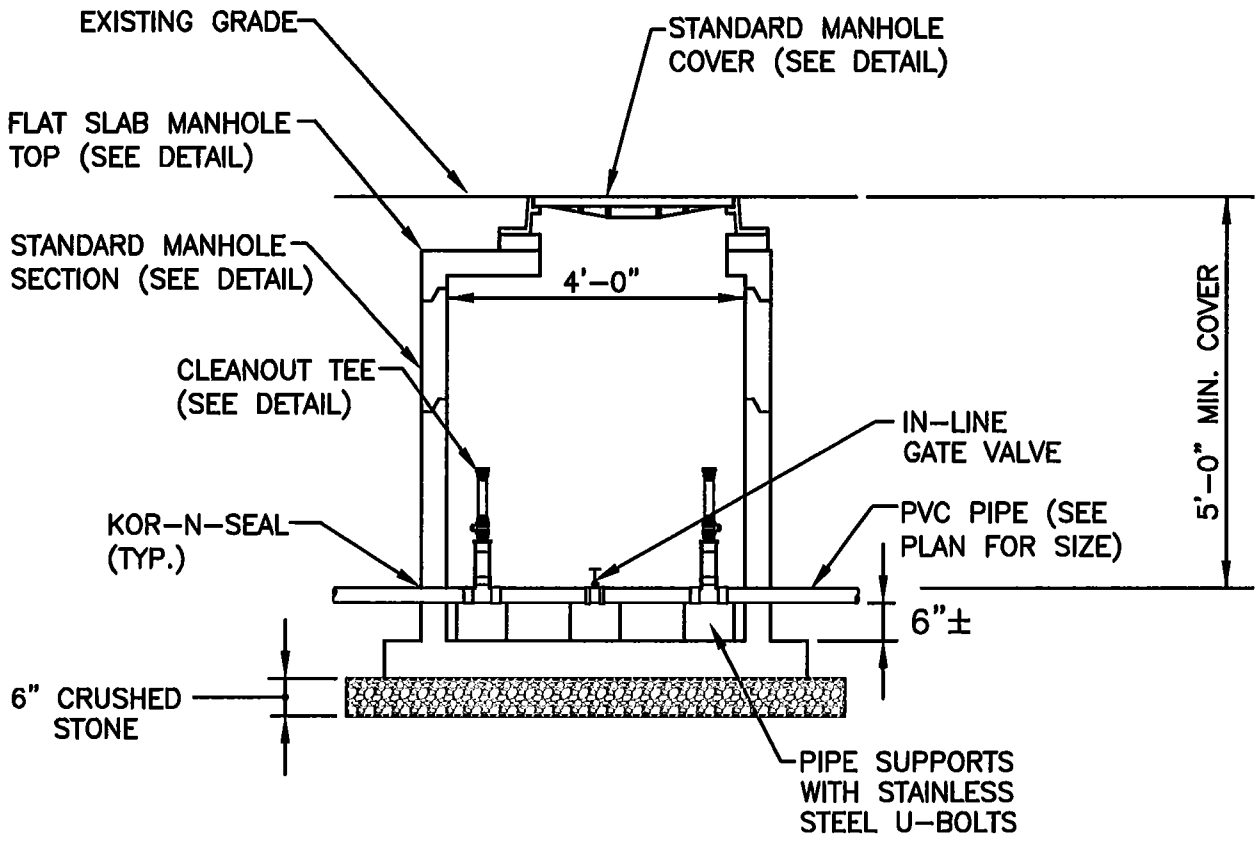



		ANCHORAGES				
BEND		PIPE SIZE-D (DIA.)				
		6"	8"	12"	16"	20"
1/8	R	2'-6"	3'-0"	4'-6"	5'-4"	6'-0"
	S	2'-6"	2'-9"	3'-6"	2'-6"	5'-6"
	T	3'-0"	4'-0"	4'-9"	7'-0"	9'-6"
1/16	R	2'-0"	2'-8"	4'-0"	4'-6"	5'-0"
	S	1'-9"	2'-3"	2'-6"	3'-2"	3'-8"
	T	2'-6"	3'-4"	4'-0"	6'-0"	8'-6"
1/32	R	1'-6"	2'-0"	3'-0"	3'-8"	4'-3"
	S	1'-3"	1'-9"	2'-0"	2'-4"	2'-6"
	T	2'-0"	2'-6"	3'-0"	4'-6"	5'-9"

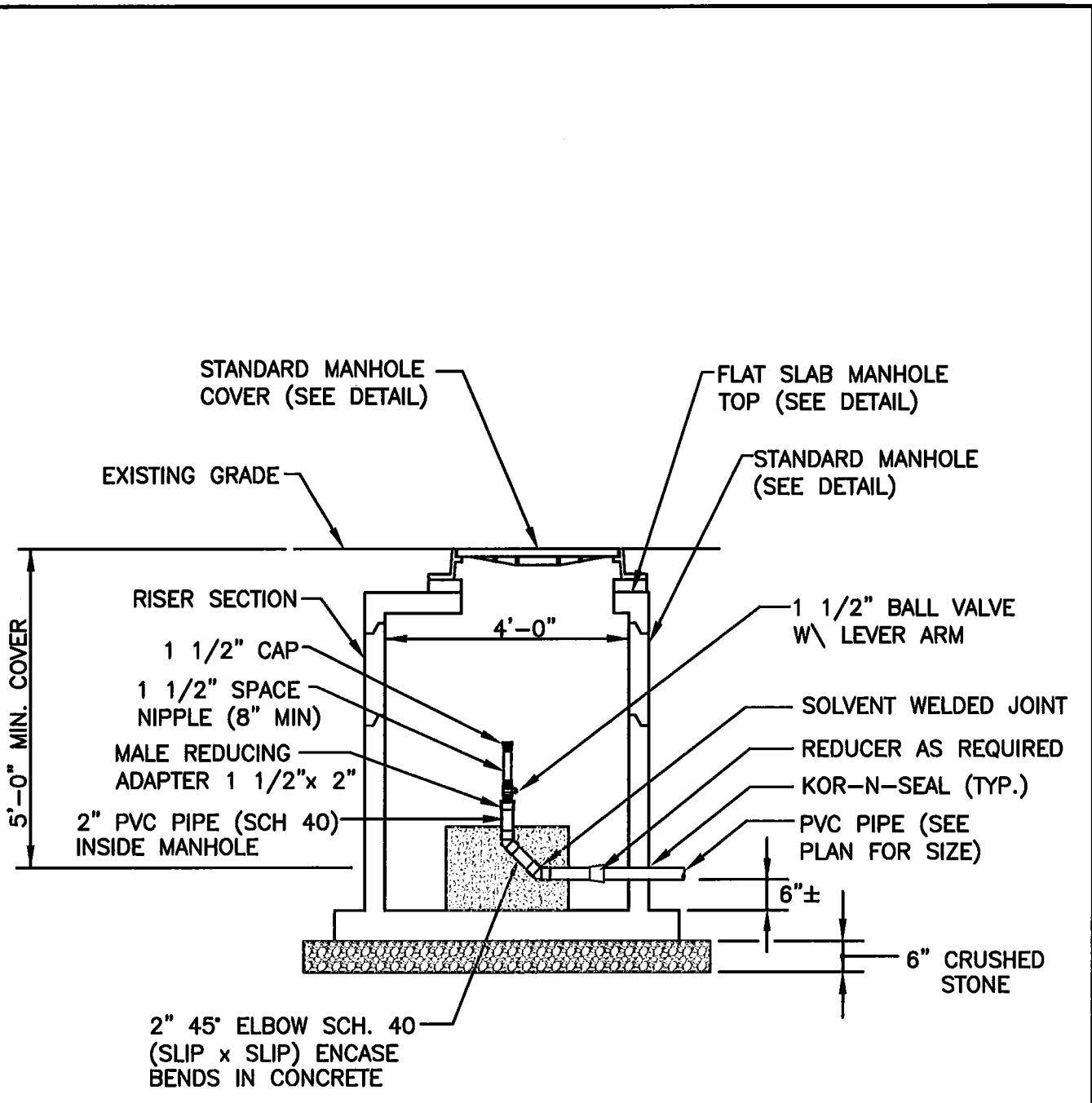
NOTES:

1. ALL CONCRETE SHALL BE 3000 PSI @ 28 DAYS.
2. CONCRETE THRUST BLOCKS SHALL BEAR AGAINST UNDISTURBED EARTH.
3. ALL FORCE MAIN BENDS, TEES, MAIN TAPS, AND END CAPS SHALL REQUIRE A CONCRETE THRUST BLOCK.
4. THE DIMENSIONS PROVIDED REPRESENT THE MINIMUM REQUIREMENTS. THE ACTUAL ANCHOR BLOCK DIMENSIONS WILL BE BASED UPON THE SITE CONDITIONS AND SYSTEM PRESSURE ON A PROJECT SPECIFIC BASIS.


Detail No. WSA - 30 Anchor Block Details	
Contract DD	
Date: May 2017	Scale: Not to Scale
	WARWICK SEWER AUTHORITY 125 Arthur Devine Boulevard Warwick, Rhode Island 02889

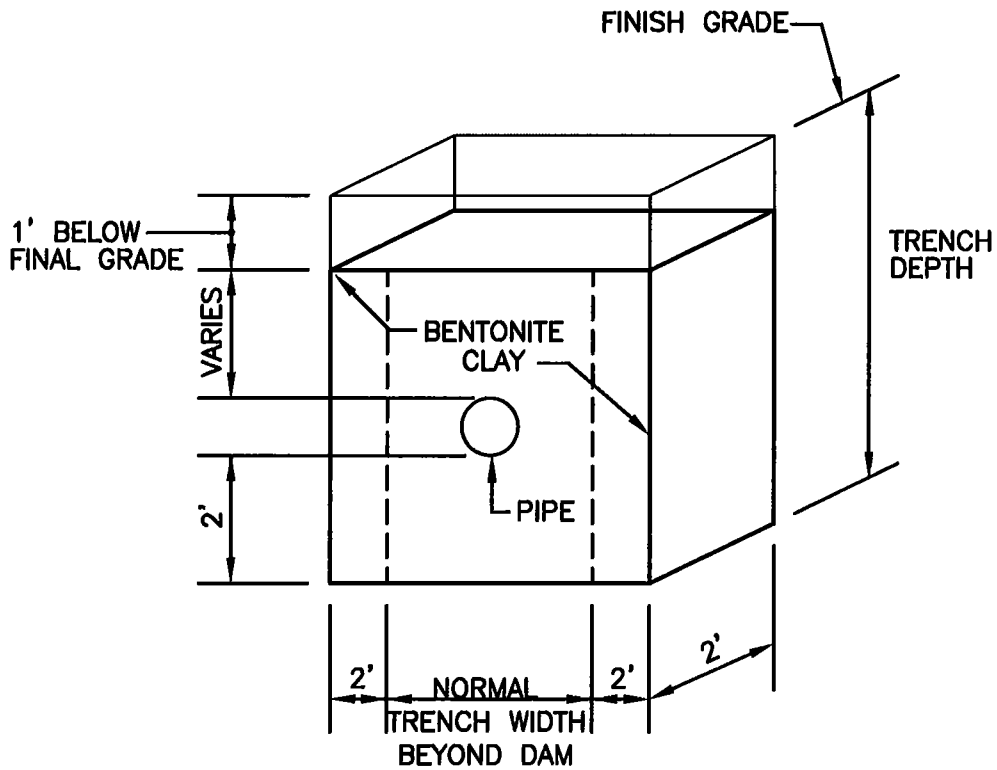


Detail No. WSA - 31 LPSS In-Line Cleanout	
Contract DD	
Date: May 2017	Scale: Not to Scale
	WARWICK SEWER AUTHORITY 125 Arthur Devine Boulevard Warwick, Rhode Island 02889



NOTE:
 CONNECTION AND CAP THREAD SHALL BE NST OR NPT, AS DIRECTED BY ENGINEER.

Detail No. WSA - 32 LPSS Main End	
Contract DD	
Date: May 2017	Scale: Not to Scale
	WARWICK SEWER AUTHORITY 125 Arthur Devine Boulevard Warwick, Rhode Island 02889



INSTALL AT CENTER OF EACH GRAVITY MANHOLE REACH.

NOTES:

1. HEIGHT OF CLAY DAM SHALL ONLY VARY UPON COMPLETION OF SOIL AND ENGINEERING ASSESSMENT.
2. NO FITTING SHALL BE LOCATED WITHIN 4' OF DAM.
3. LOCATION, HEIGHT AND WIDTH OF DAM SHALL BE DETERMINED BY ENGINEER ON A SITE SPECIFIC BASIS.

Detail No. WSA - 33
Typical Trench Dam

Contract DD

Date: May 2017

Scale: Not to Scale



WARWICK SEWER AUTHORITY

125 Arthur Devine Boulevard
Warwick, Rhode Island 02889

